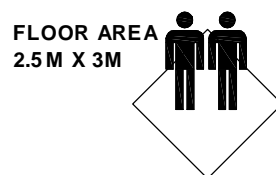
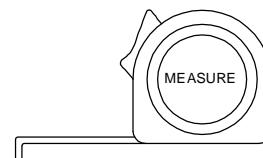
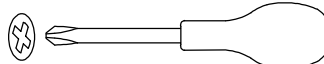
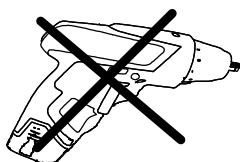


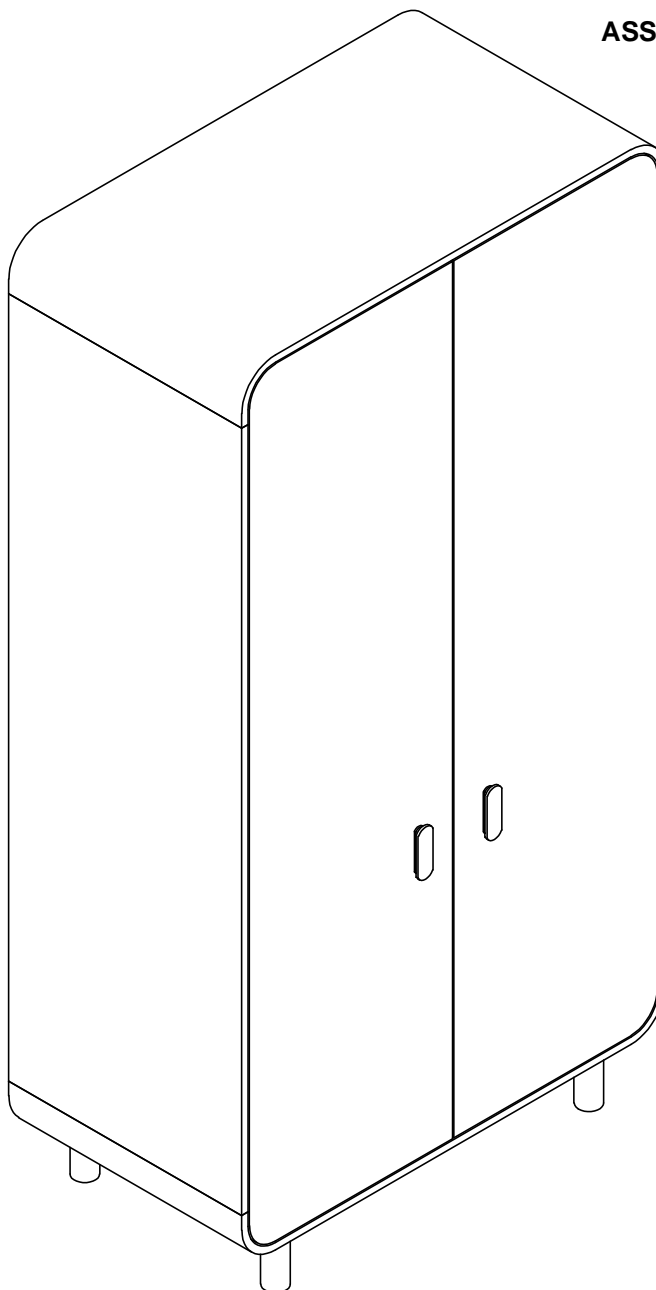
100264 100265



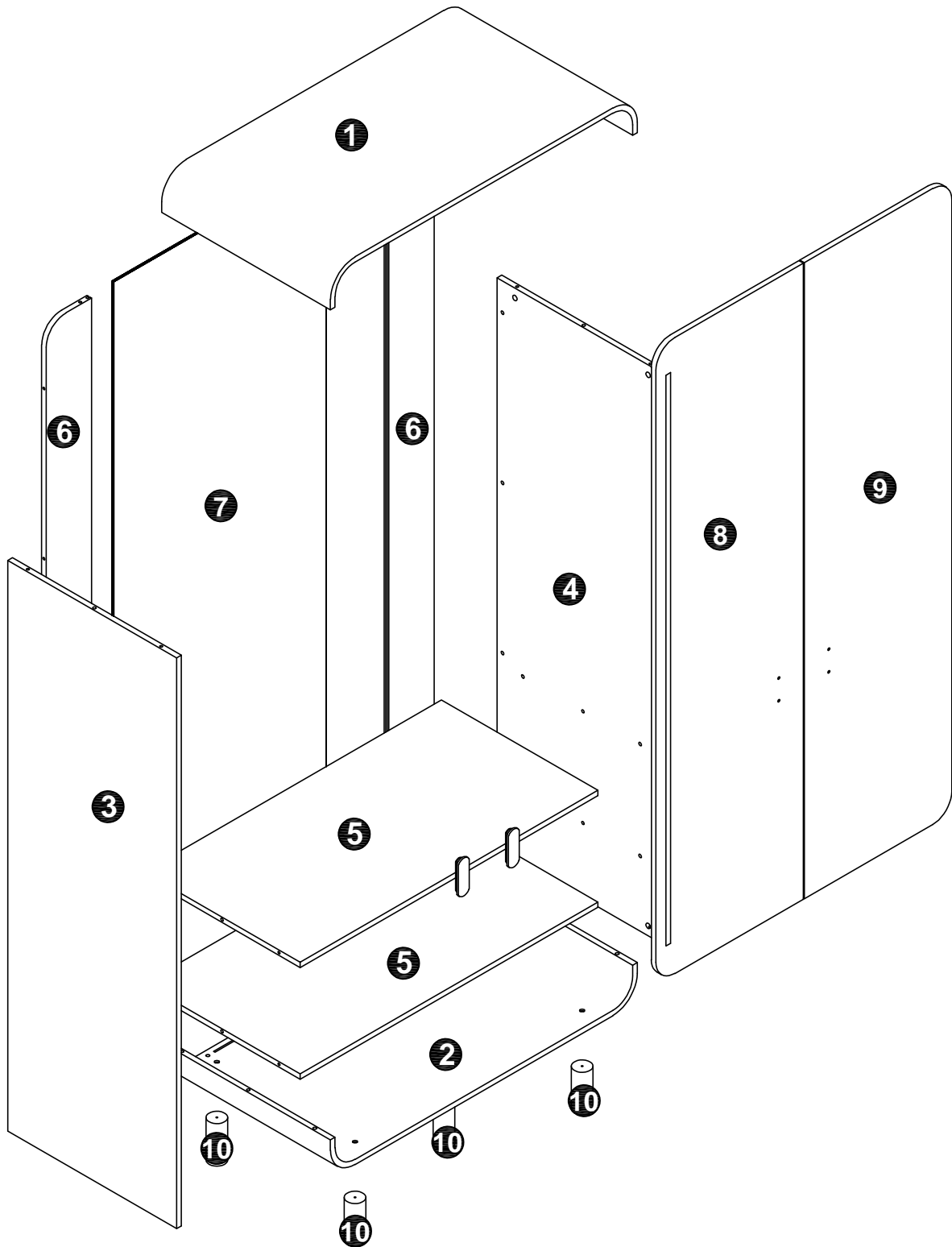
REQUIRED ASSEMBLY TOOLS



ASSEMBLED DIMENSIONS



100264 100265



100264 100265

PACK 1

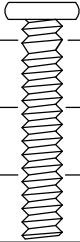





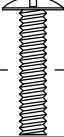
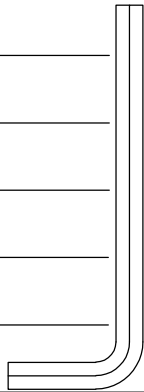
NO.	PARTS LIST	QTY
③	left side panel	1
④	right side panel	1
⑤	middle panel	2
⑦	back panel	1

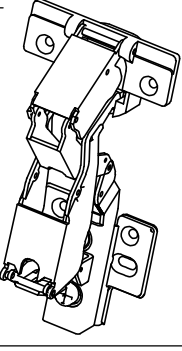

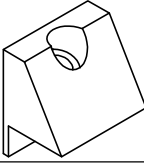

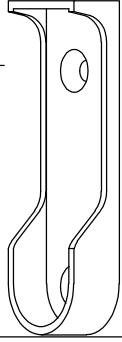

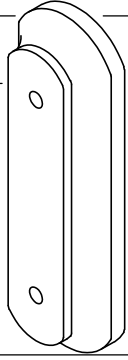
PACK 2

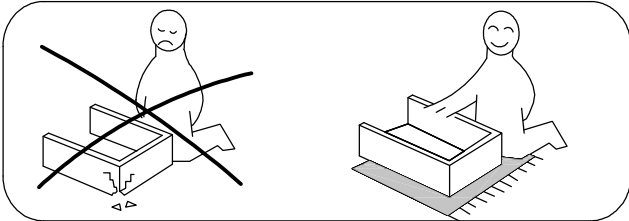
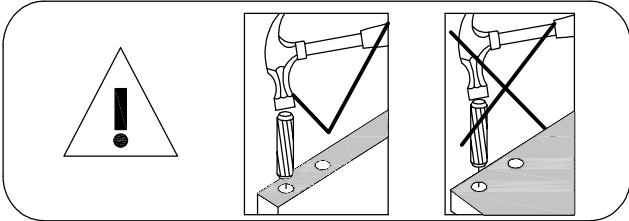
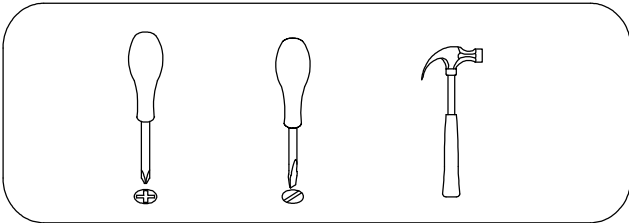
NO.	PARTS LIST	QTY
①	face panel	1
②	bottom panel	1
⑥	back support panel	2
⑧	left door	1
⑨	right door	1
⑩	foot	4

100264 100265

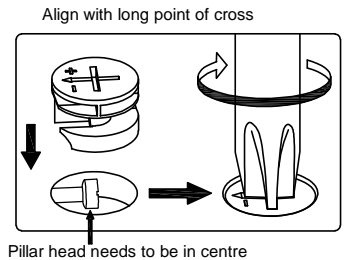
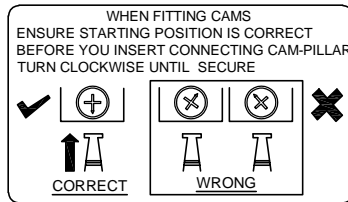
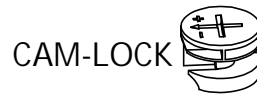
HARDWARE LIST

							
4x M6X30mm	28x Ø15X10	20x M6X35	8x Ø8X30mm	4x M6X13	52x M3.5X16mm	4x M4X18	1x 4#
A	B	C	D	E	F	G	H

						
8x	1x 765mm	6x	6x M3.5X20mm	2x	12x M6X35mm	2x
I	J	K	L	M	N	O

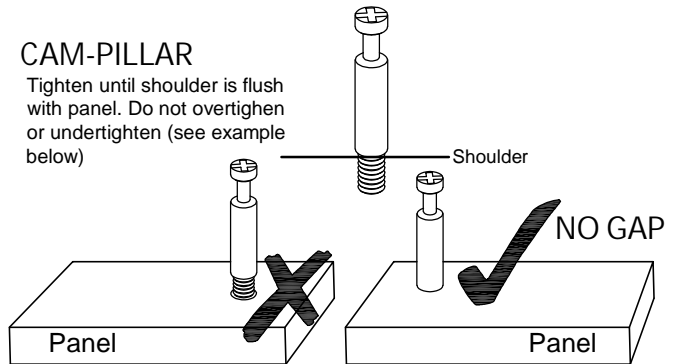


TIPS FOR FITTING CAM-LOCKS AND CAM-PILLARS

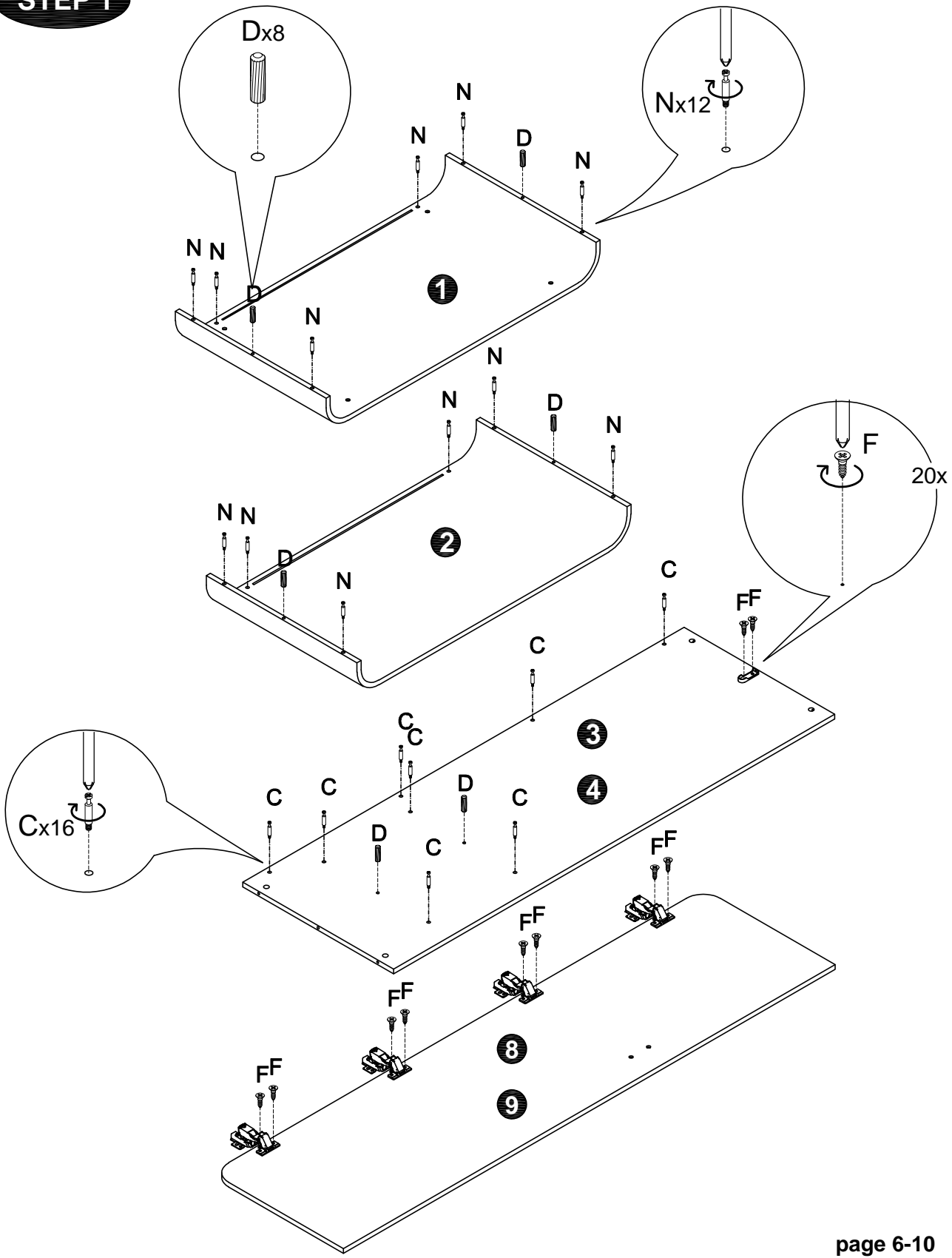


CAM-PILLAR

Tighten until shoulder is flush with panel. Do not overtighten or undertighten (see example below)

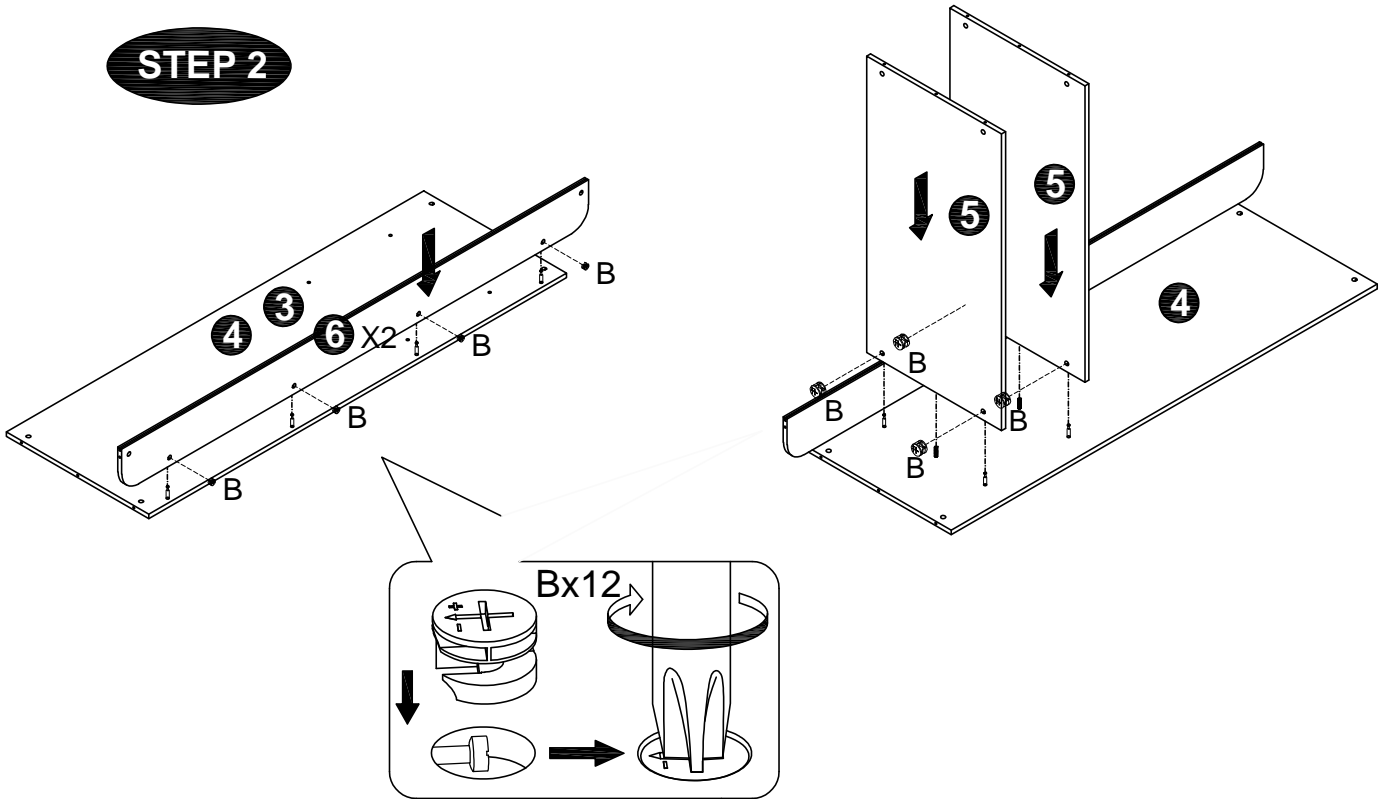


STEP 1

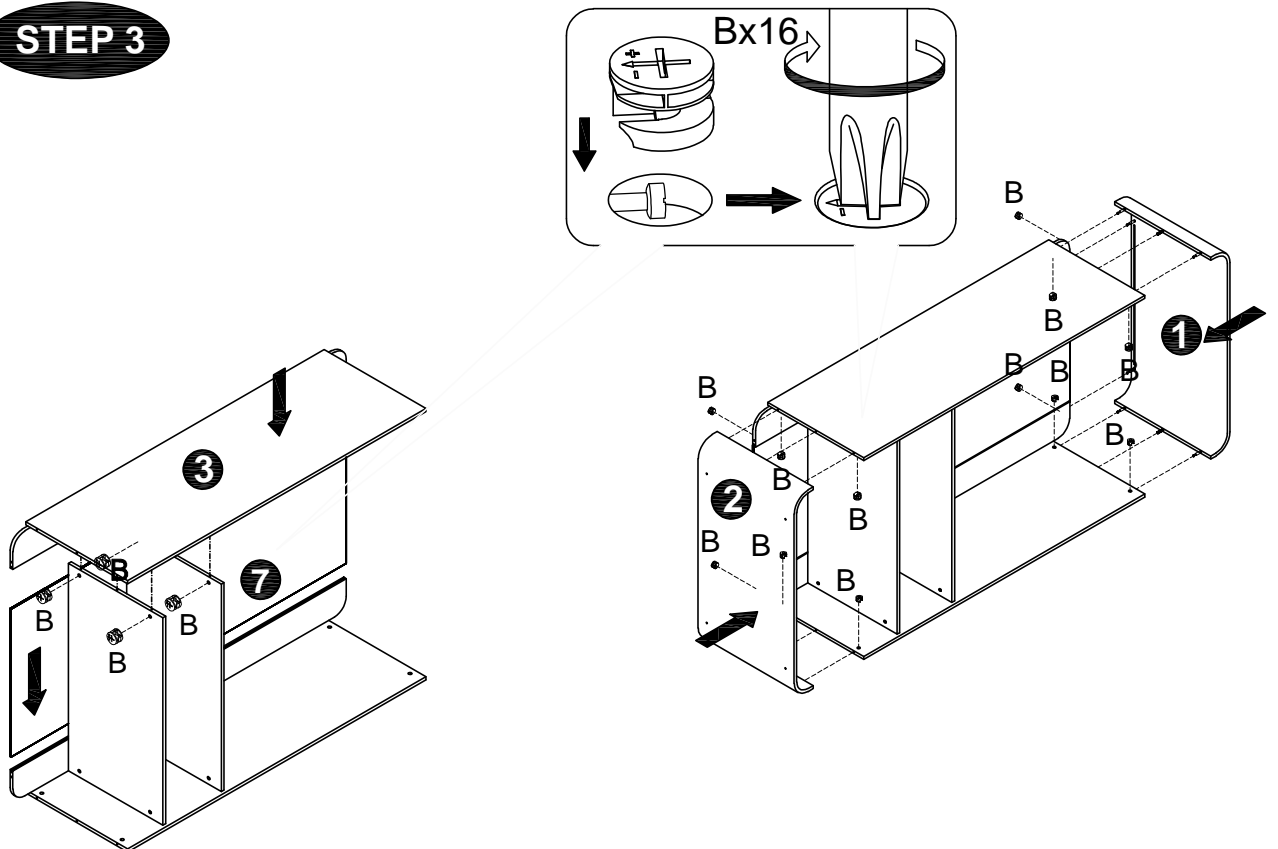


100264 100265

STEP 2

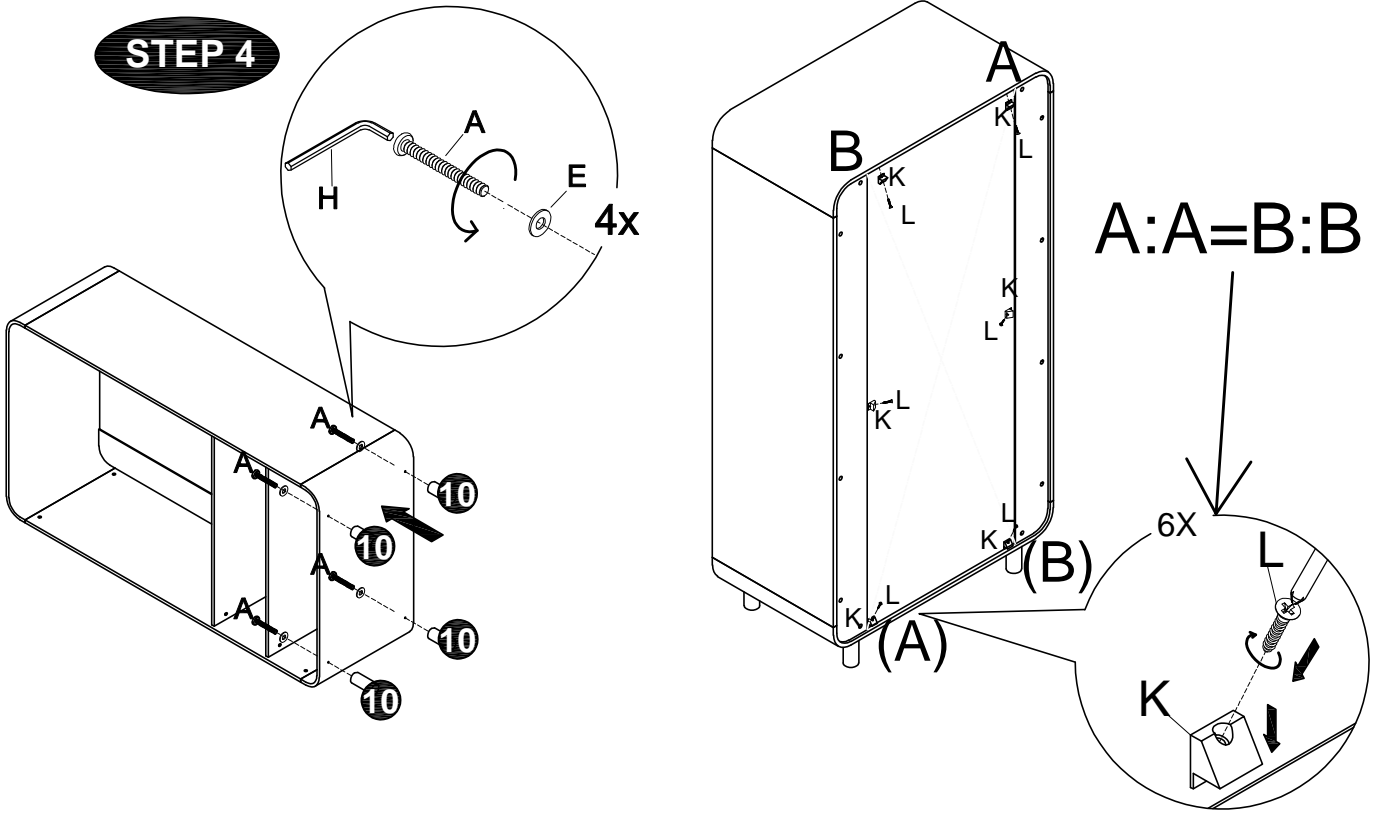


STEP 3

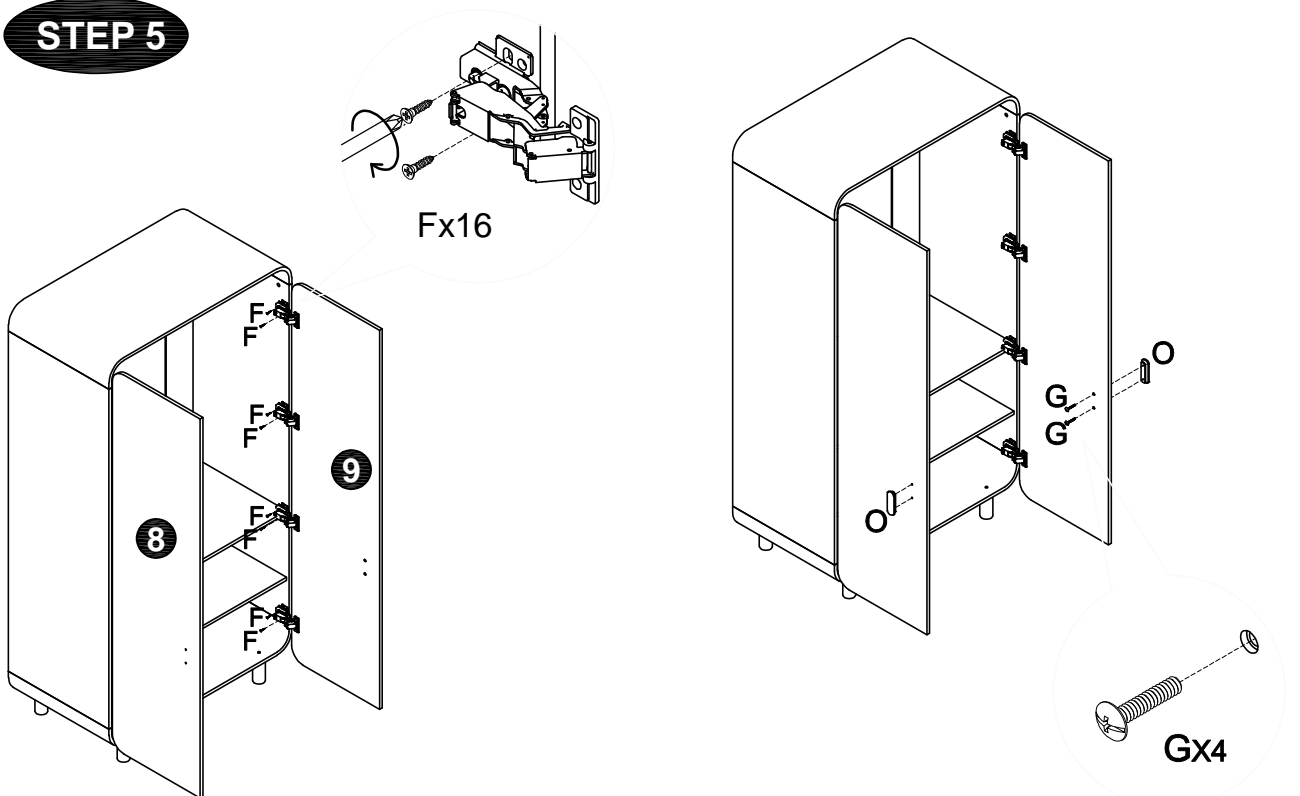


100264 100265

STEP 4

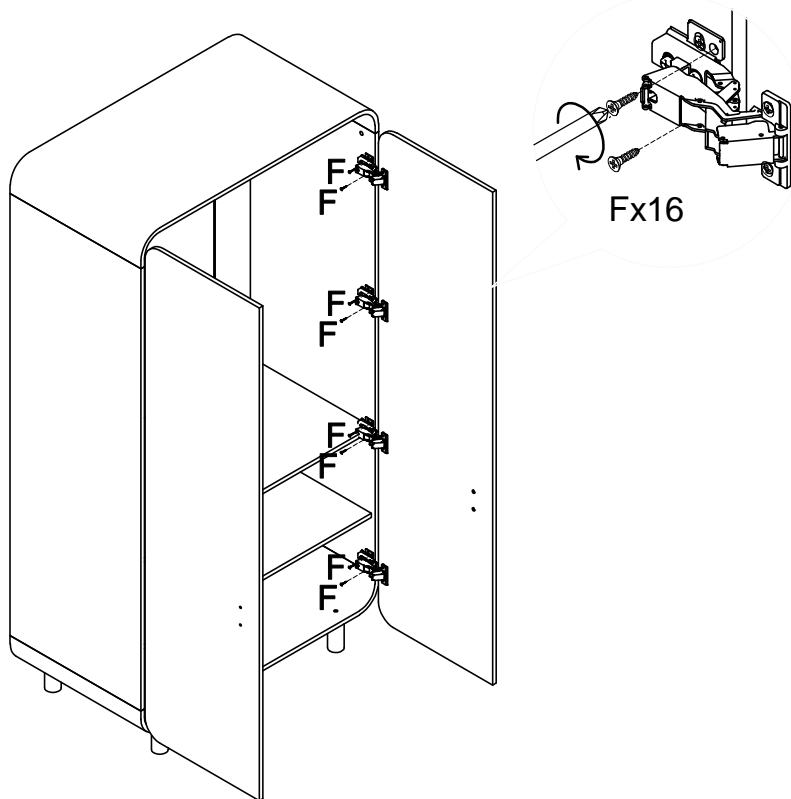


STEP 5

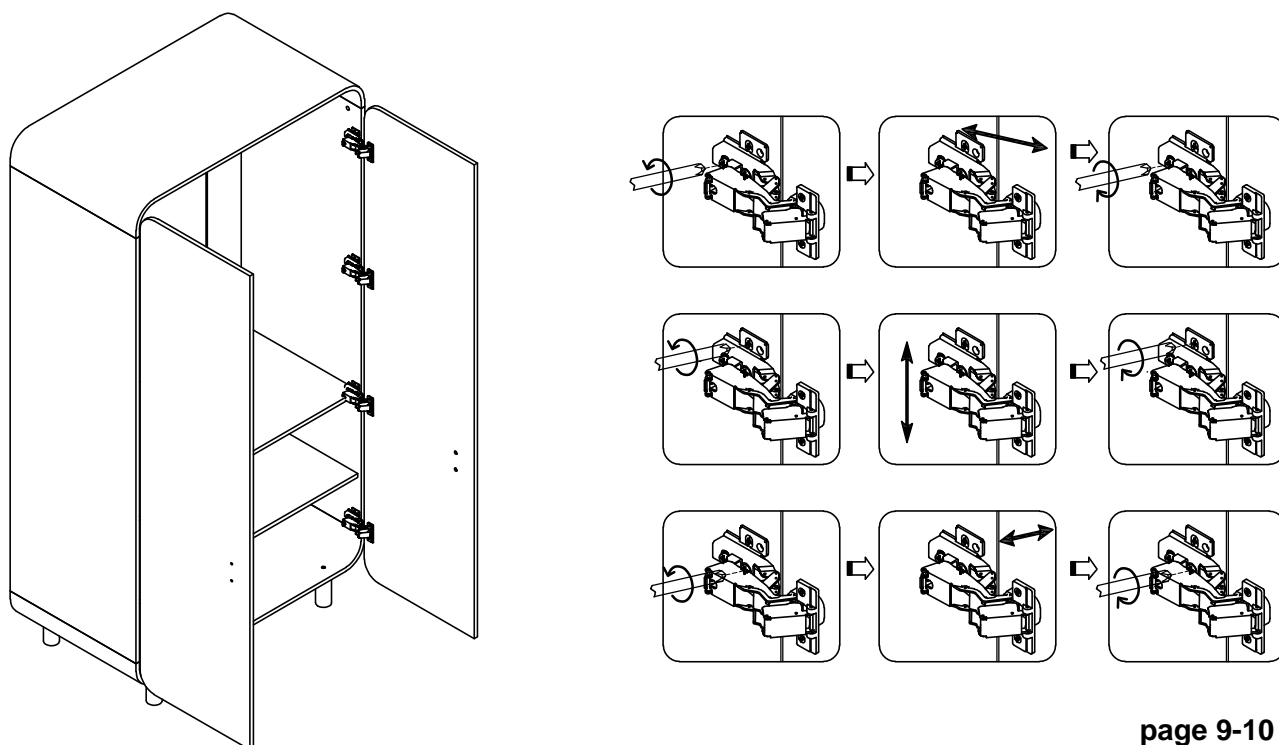


100264 100265

STEP 6

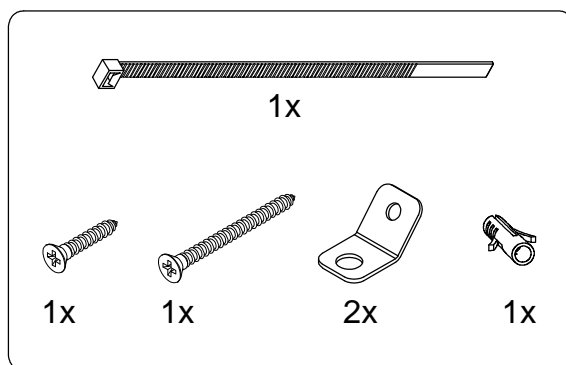
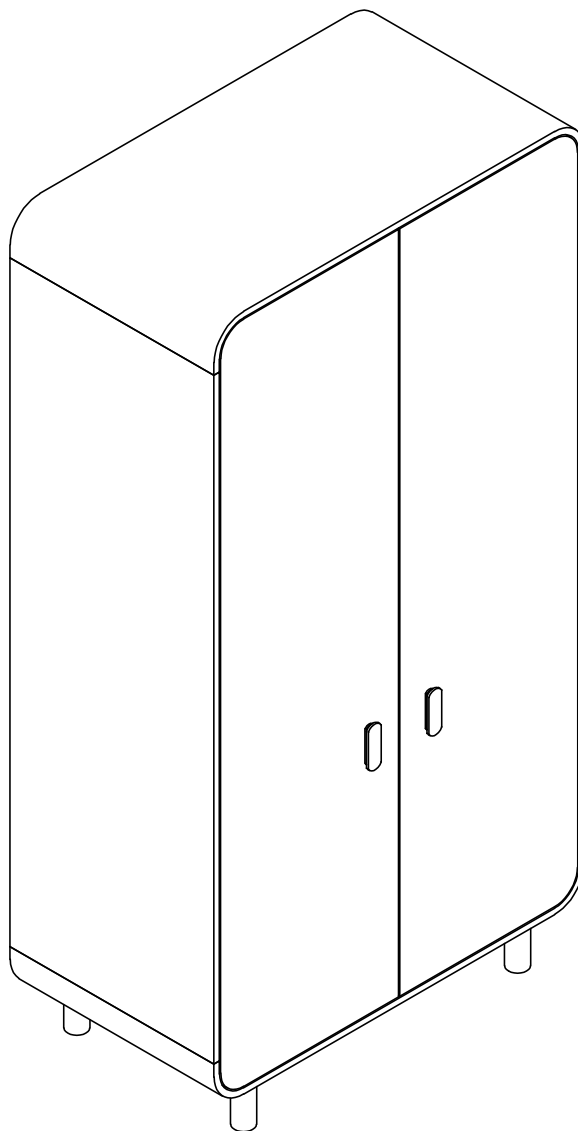


STEP 7



100264 100265

STEP 8



Safety tip: Please attach the wardrobe to the wall using the hardware provided.