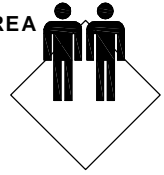


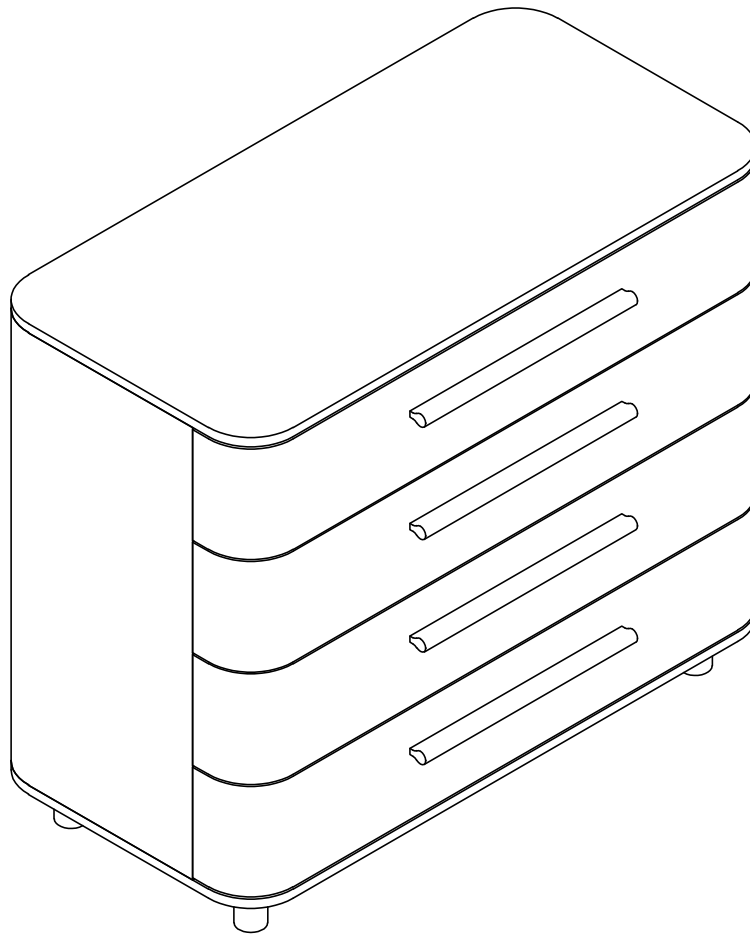
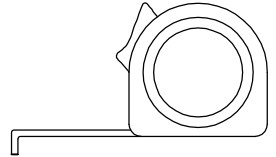
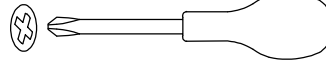
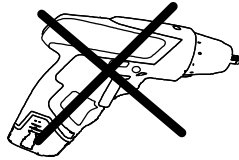
Dresser Milan



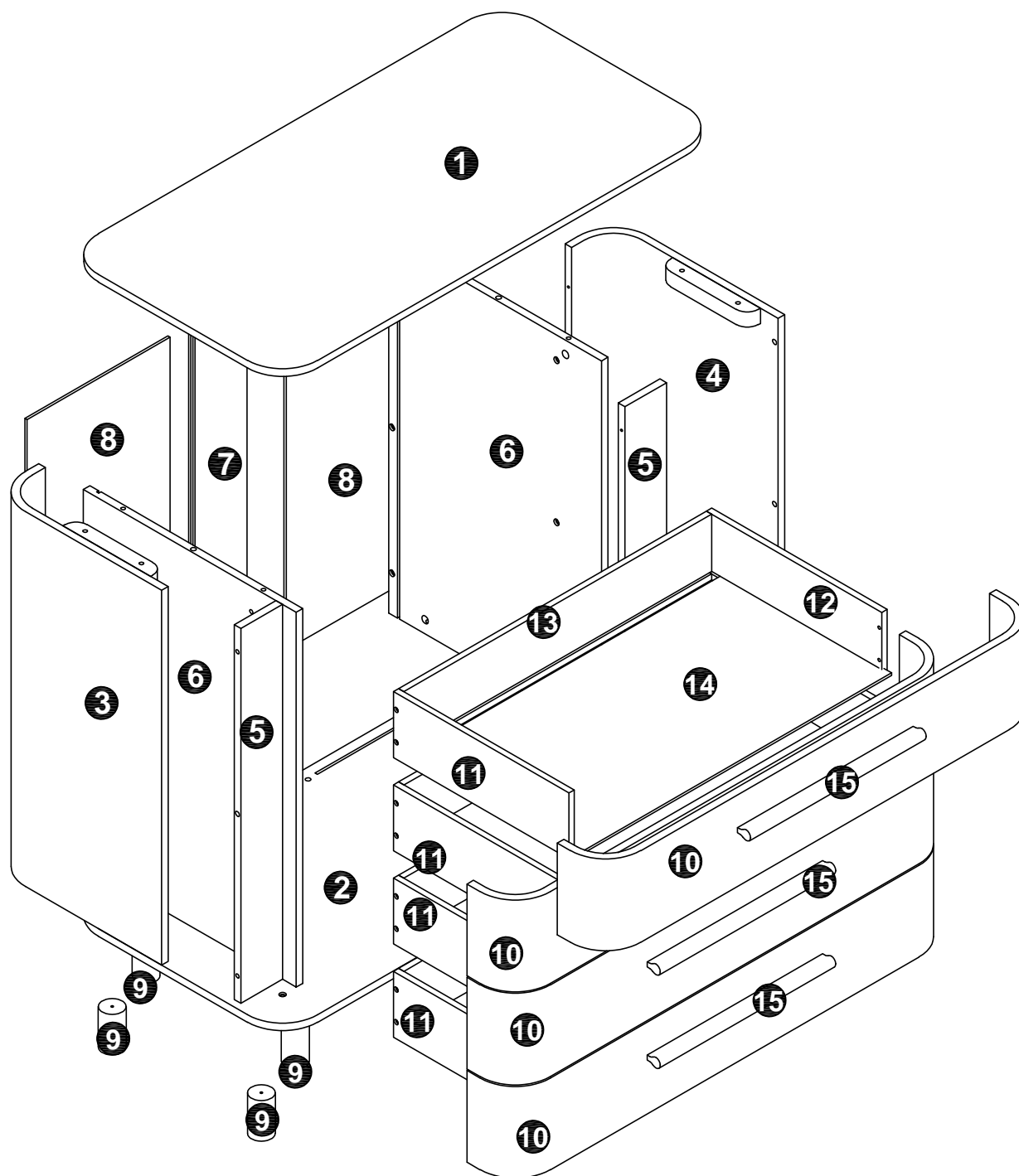
FLOOR AREA
2.5M X 3M



REQUIRED ASSEMBLY TOOLS



Dresser Milan



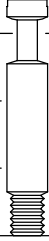
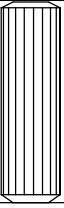


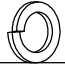



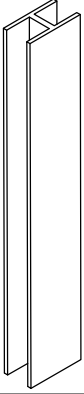
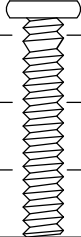

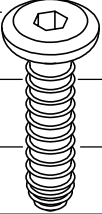
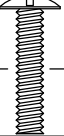
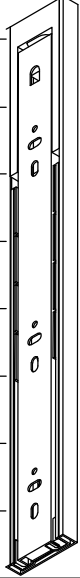
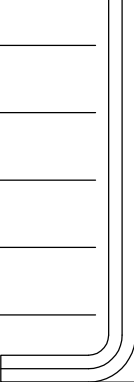
Dresser Milan

NO.	PARTS LIST	QTY	NO.	PARTS LIST	QTY
①	Top pannel	1	⑧	Back pannel	2
②	Bottom pannel	1	⑨	Feet	4
③	Left side	1	⑩	Drawer front	4
④	Right side	1	⑪	Left drawer pannel	4
⑤	Front pannel	2	⑫	Right drawer pannel	4
⑥	Inner pannel	2	⑬	Drawer back pannel	4
⑦	Support beam	1	⑭	Drawer bottom pannel	4
			⑮	Grip	4

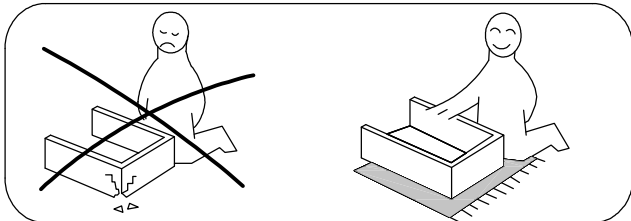
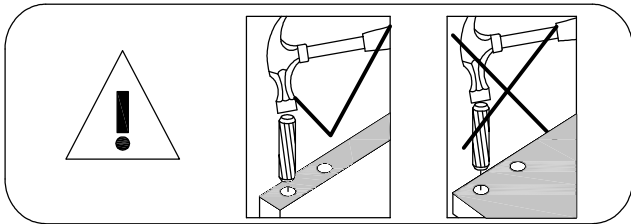
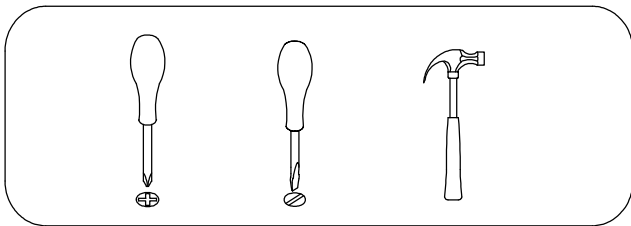
Dresser Milan

HARDWARE LIST

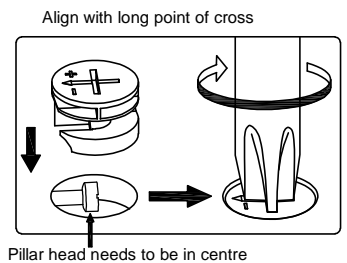
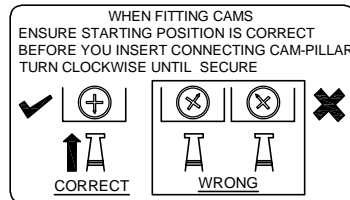
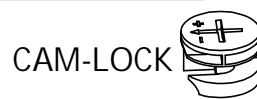
								7cm
								6cm
								5cm
								4cm
								3cm
								2cm
								1cm
								0cm
								
16x Ø12X10 A	16x Ø15X10 B	16x M6X35 C	6x Ø8X30mm D	32x M3.5X12mm E	16x M3.5X30mm F	12x M6X1.3 G	12x M6X13 H	

								9cm
								8cm
								7cm
								6cm
								5cm
								4cm
								3cm
								2cm
								1cm
								0cm
								
6x 890mm I	12x M6X30mm J	16x M6X75mm K	12x M6X25mm L	12x M4X18 M	4x 14" N/O	1x 4# P		

Dresser Milan

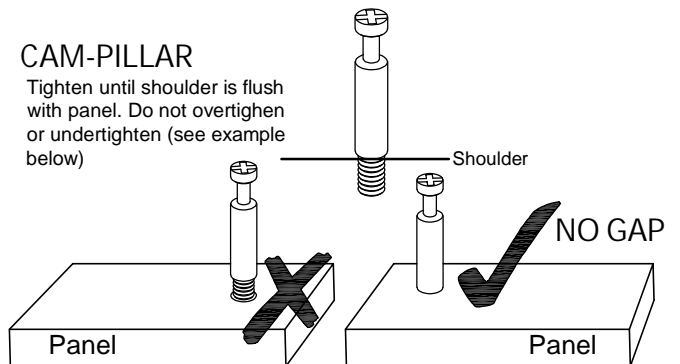


TIPS FOR FITTING CAM-LOCKS AND CAM-PILLARS



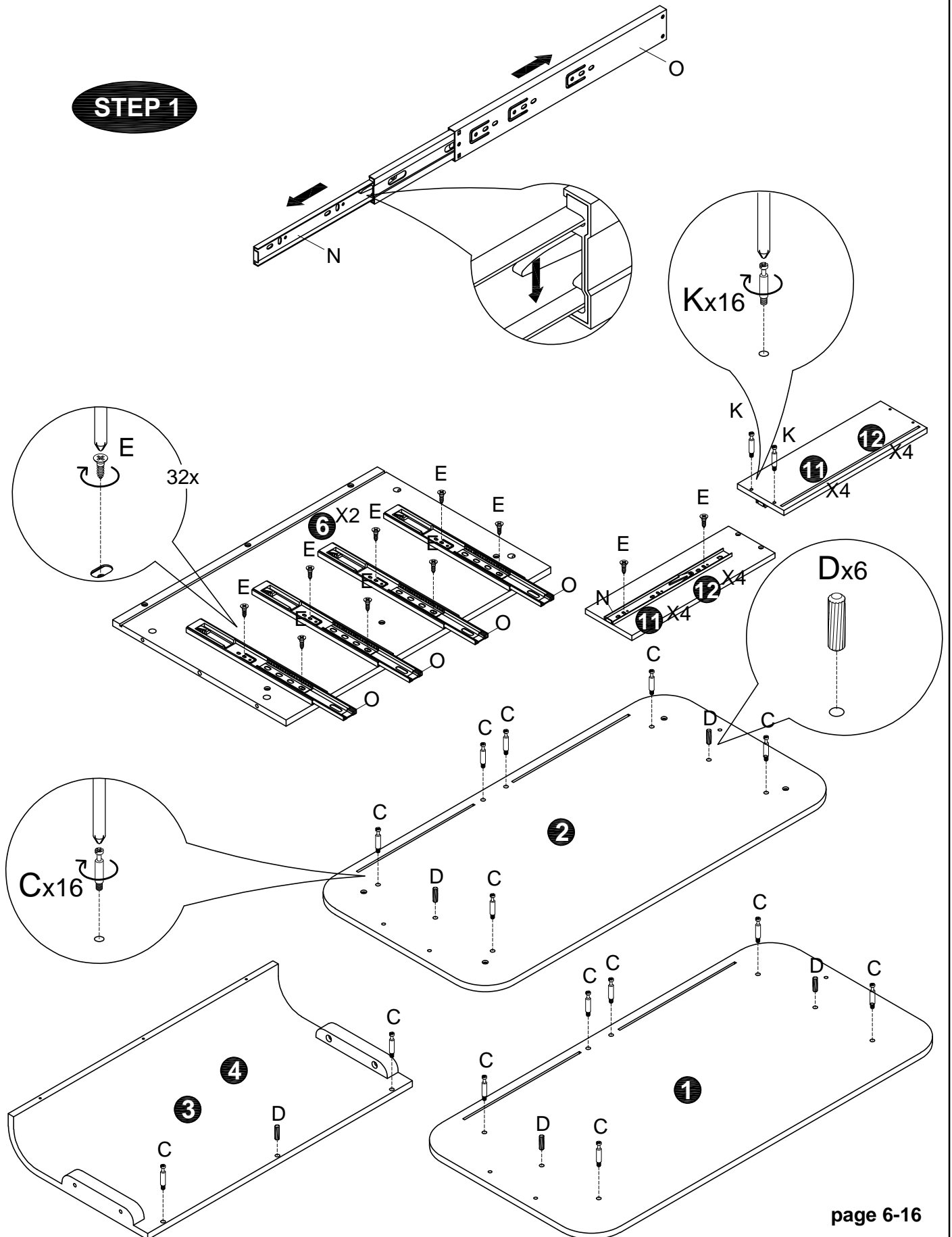
CAM-PILLAR

Tighten until shoulder is flush with panel. Do not overtighten or undertighten (see example below)



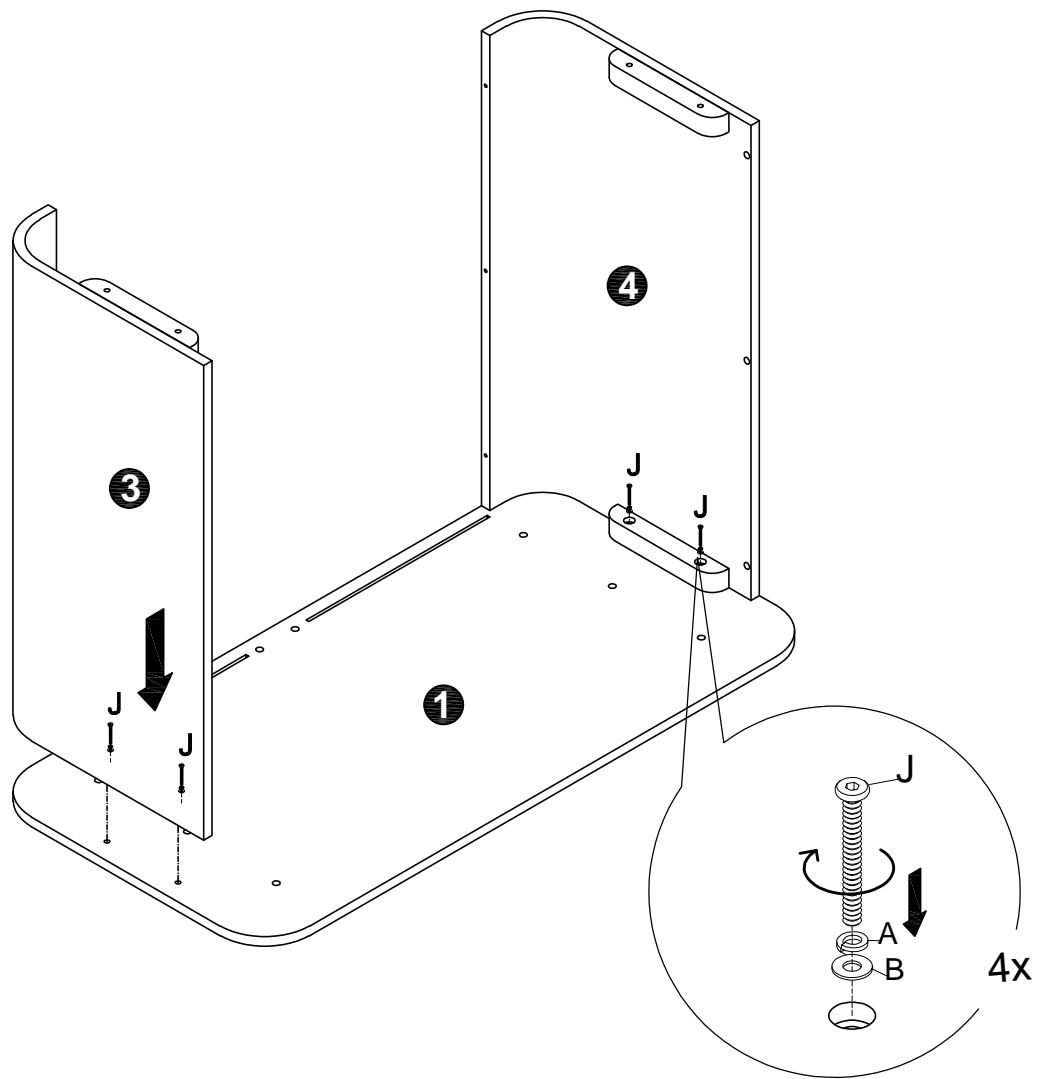
Dresser Milan

STEP 1



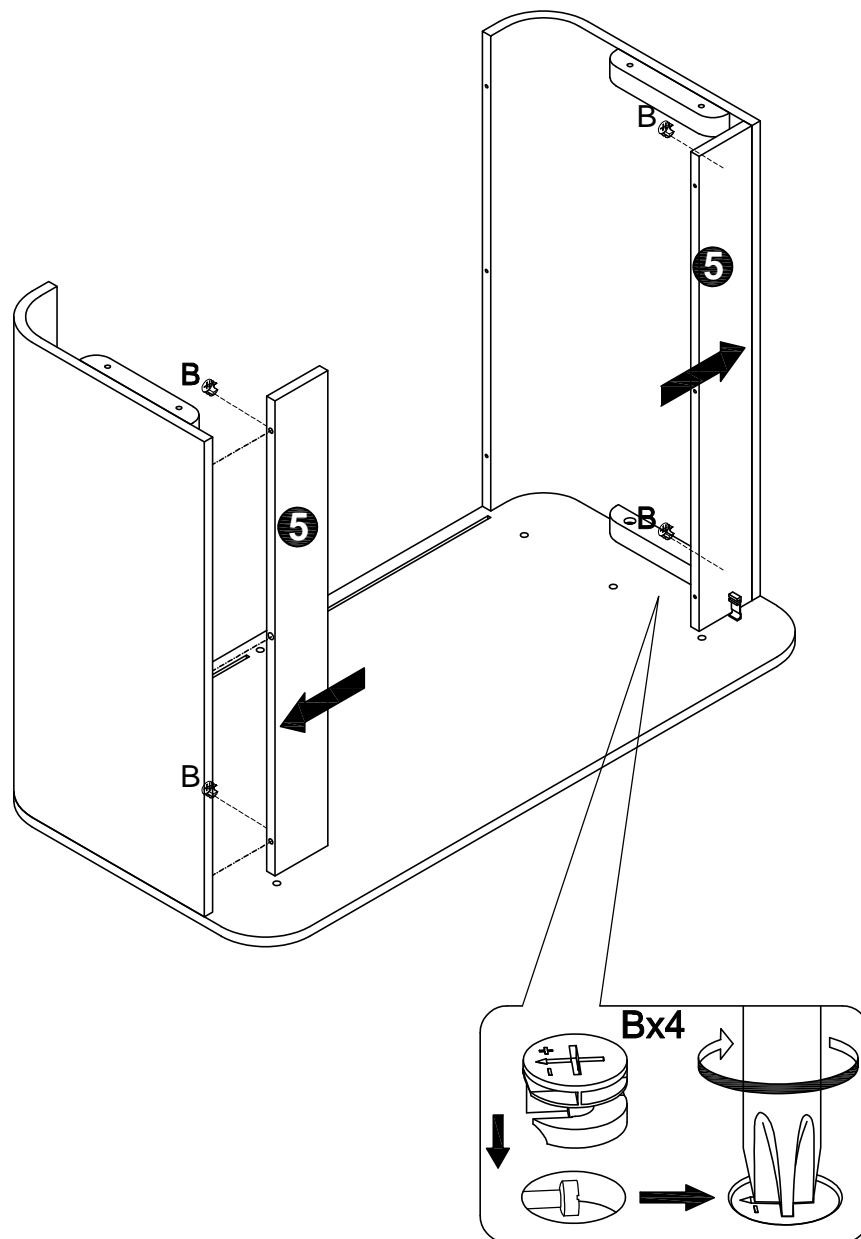
Dresser Milan

STEP 2



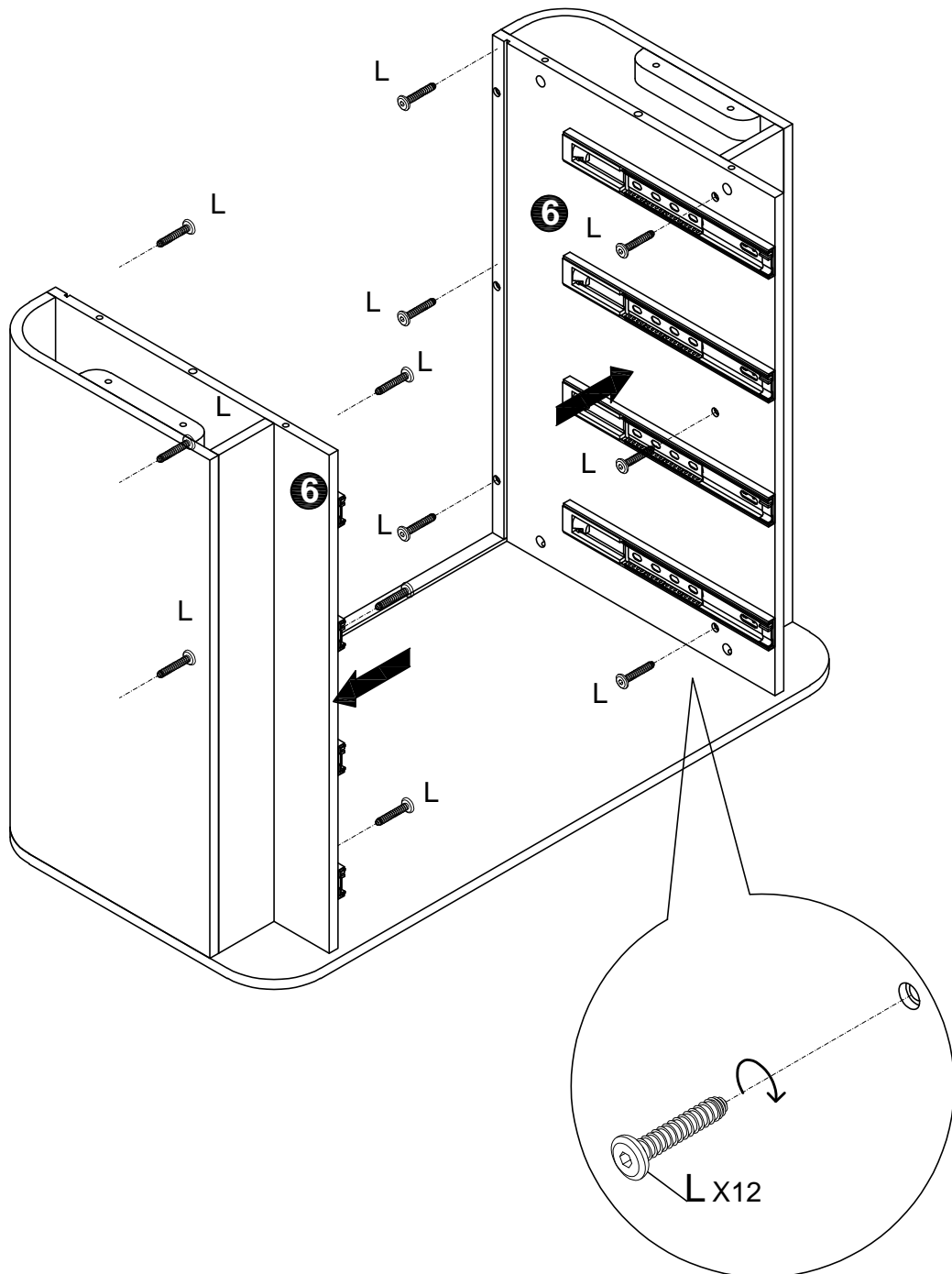
Dresser Milan

STEP 3



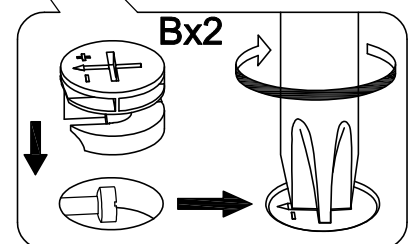
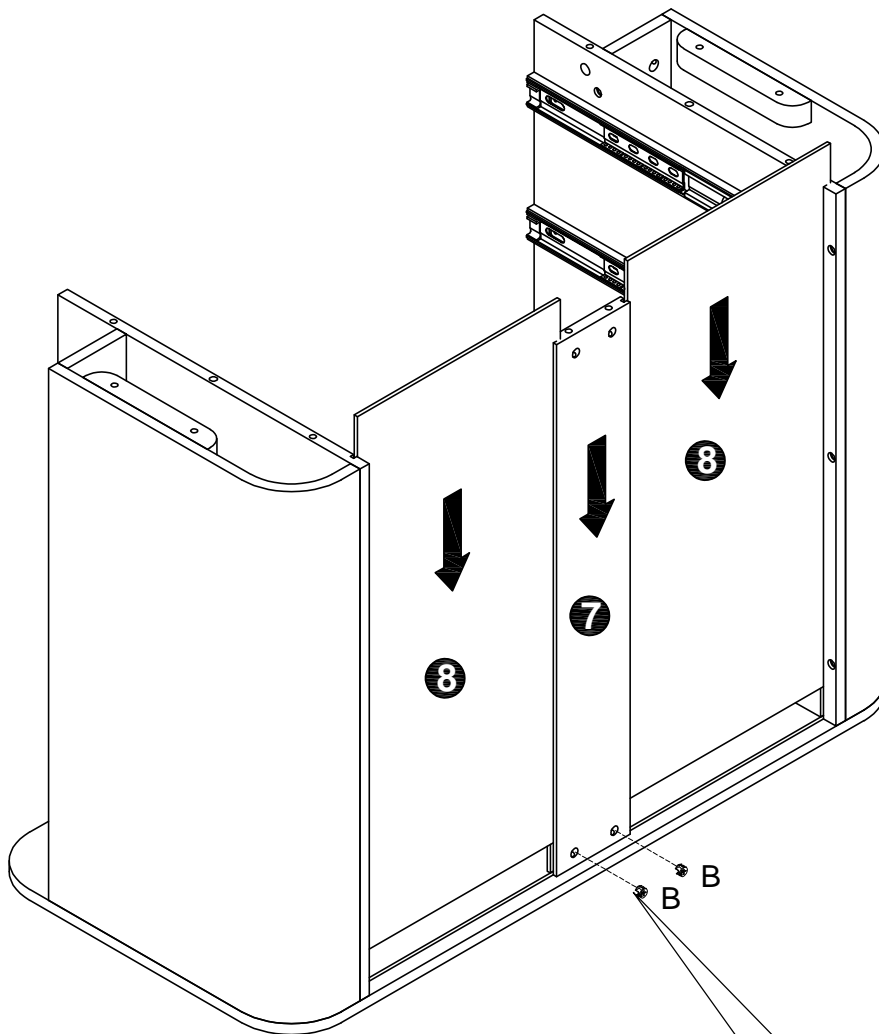
Dresser Milan

STEP 4



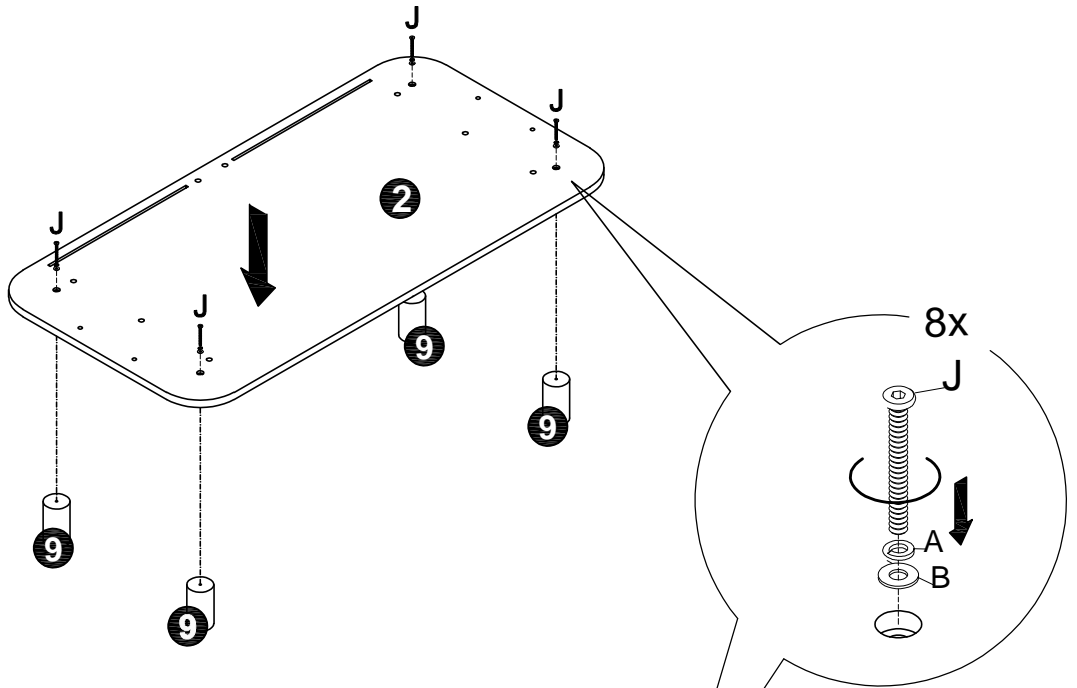
Dresser Milan

STEP 5

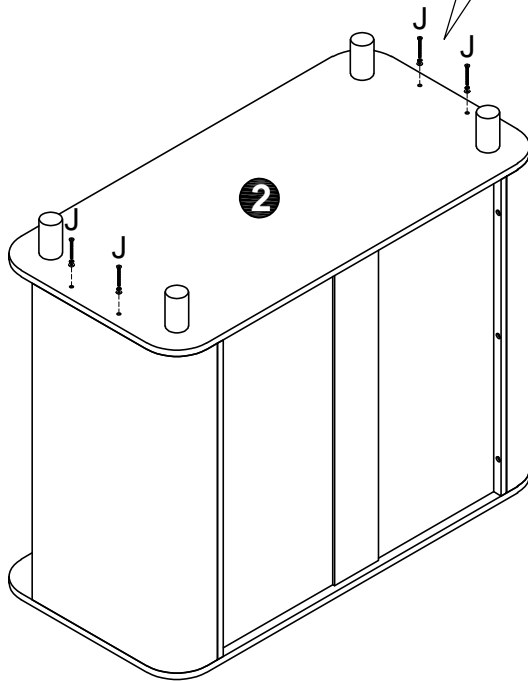


Dresser Milan

STEP 6

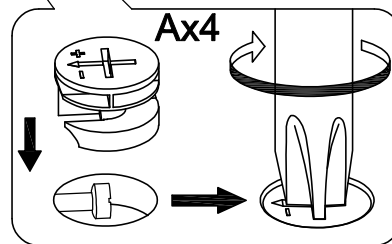
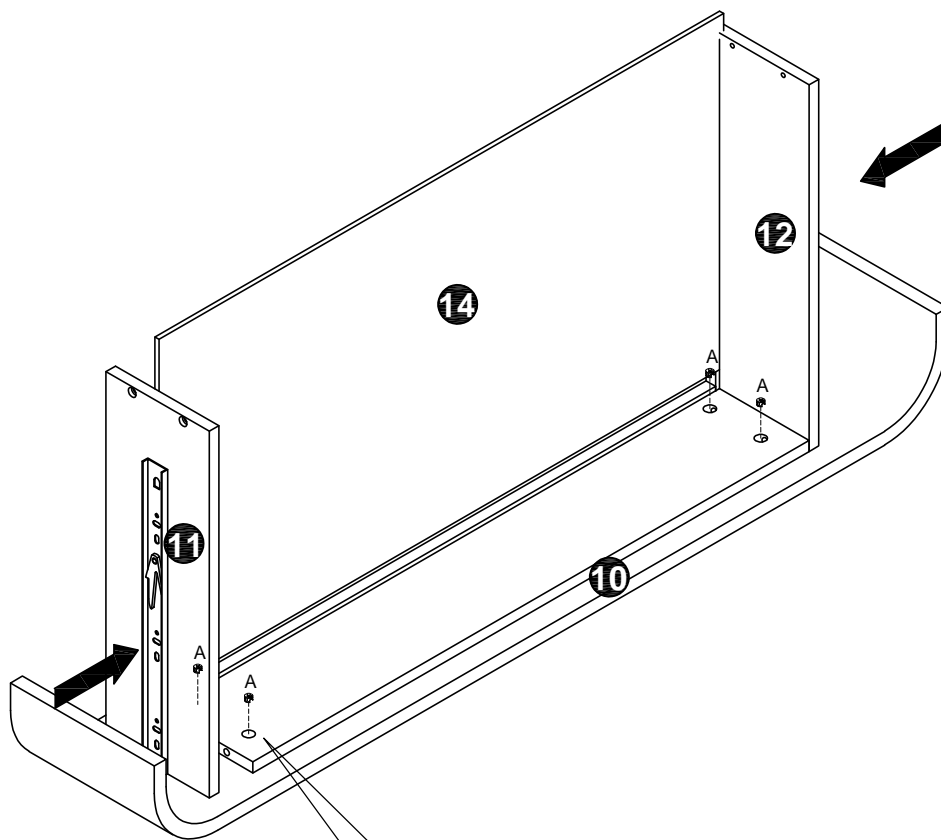


STEP 7



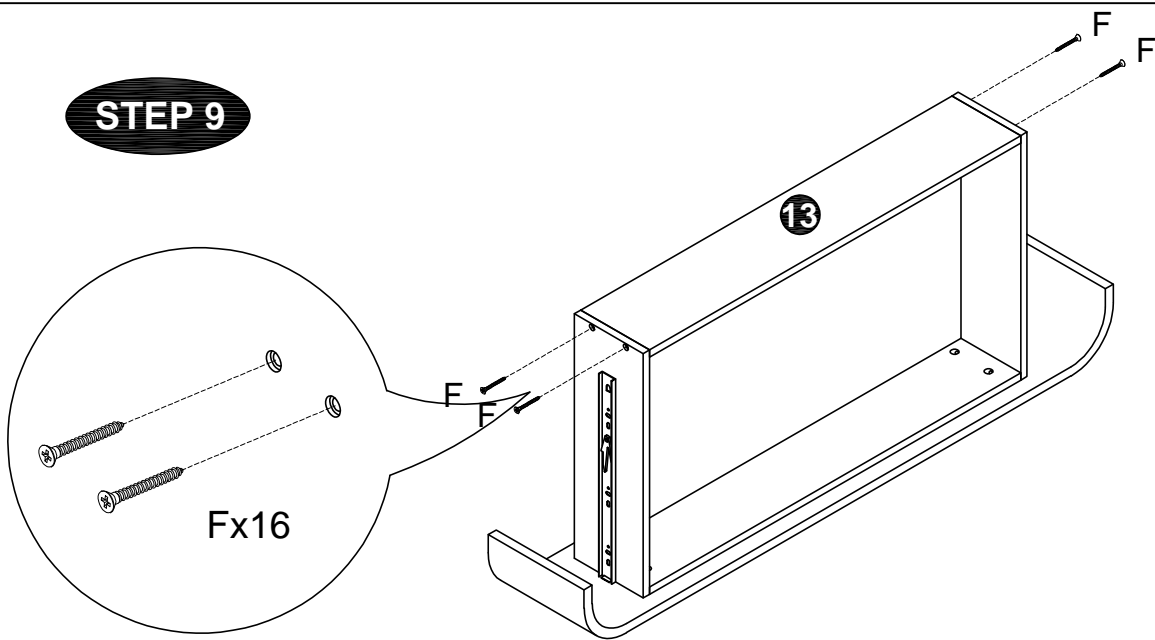
Dresser Milan

STEP 8

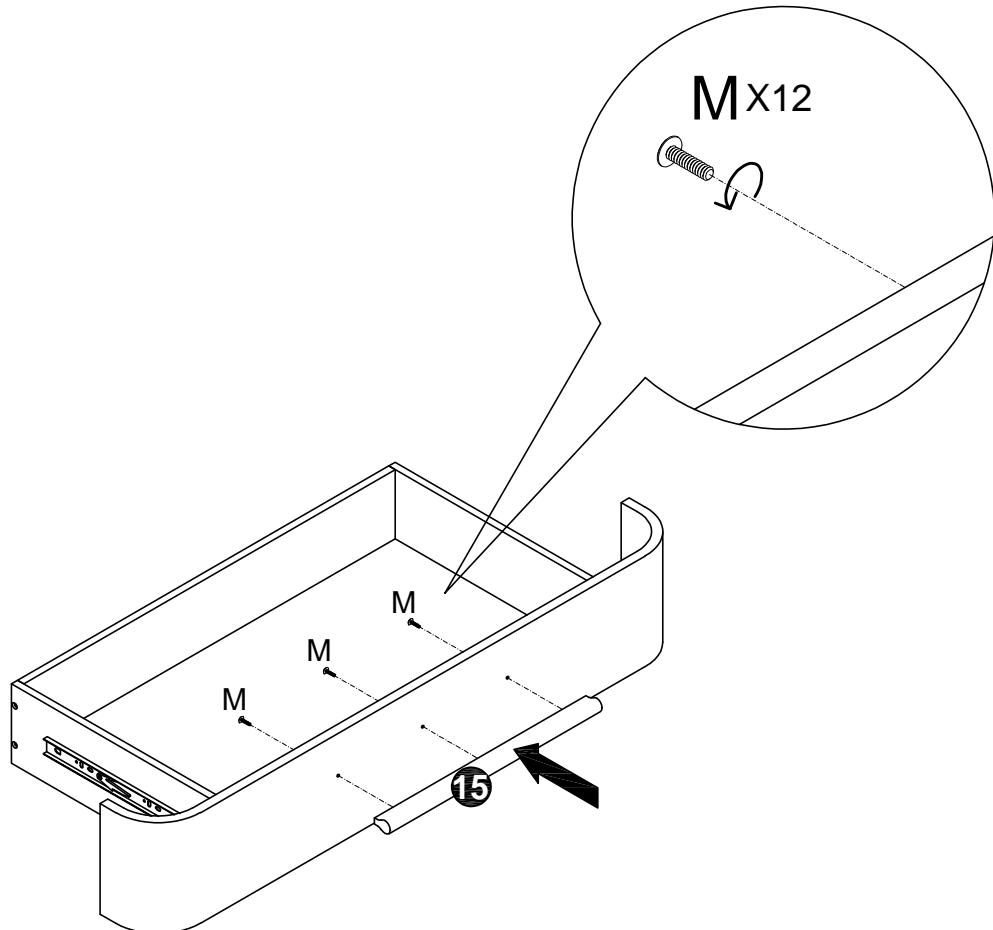


Dresser Milan

STEP 9

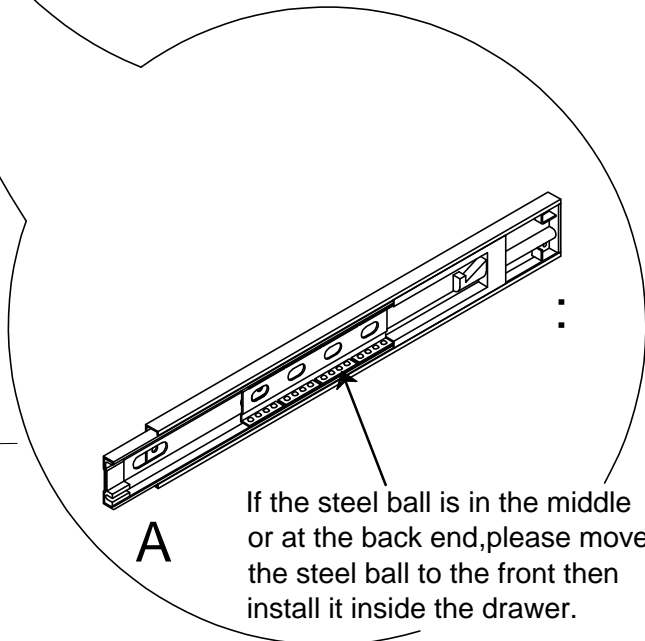
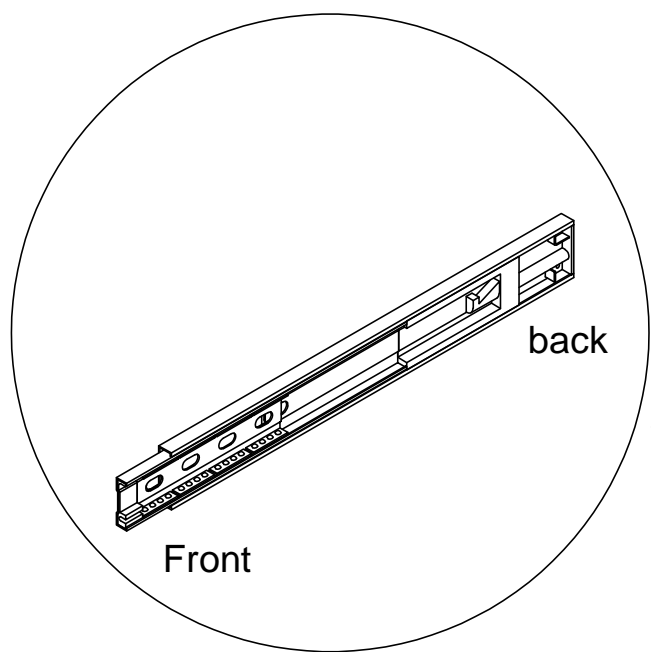
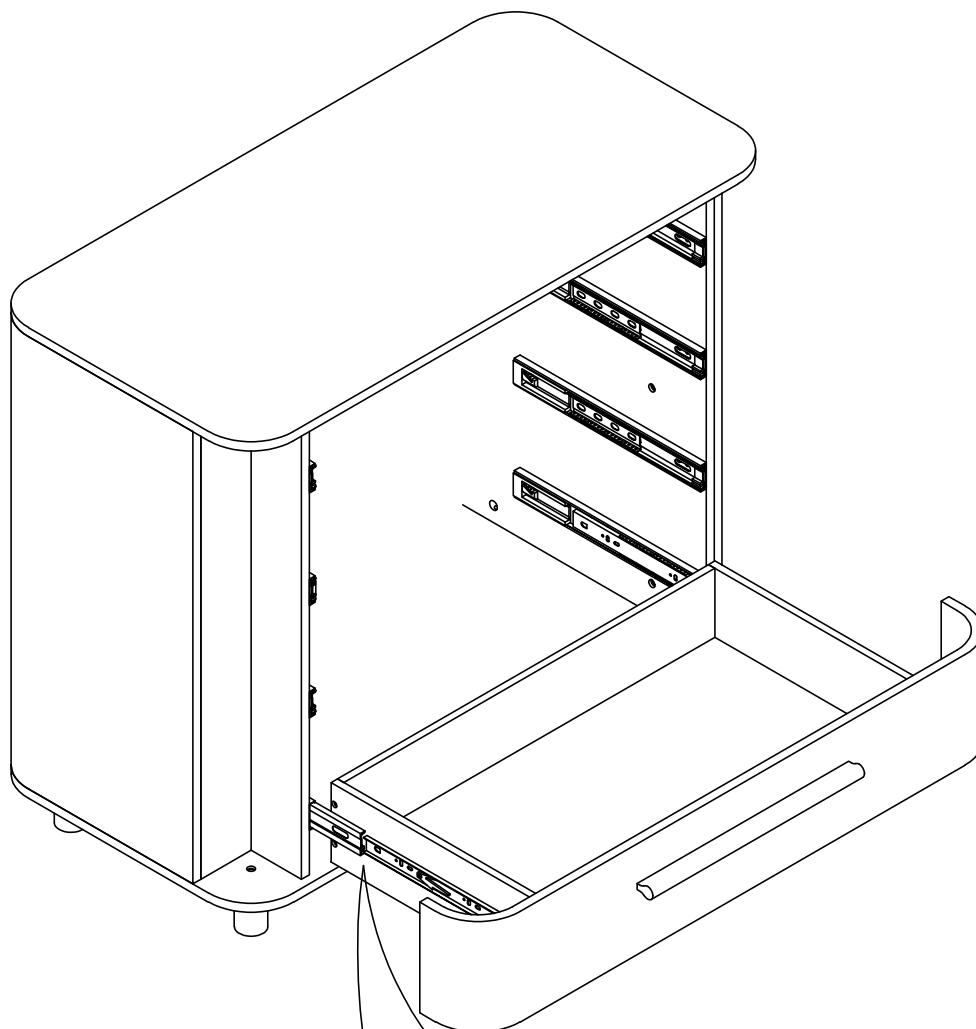


STEP 10



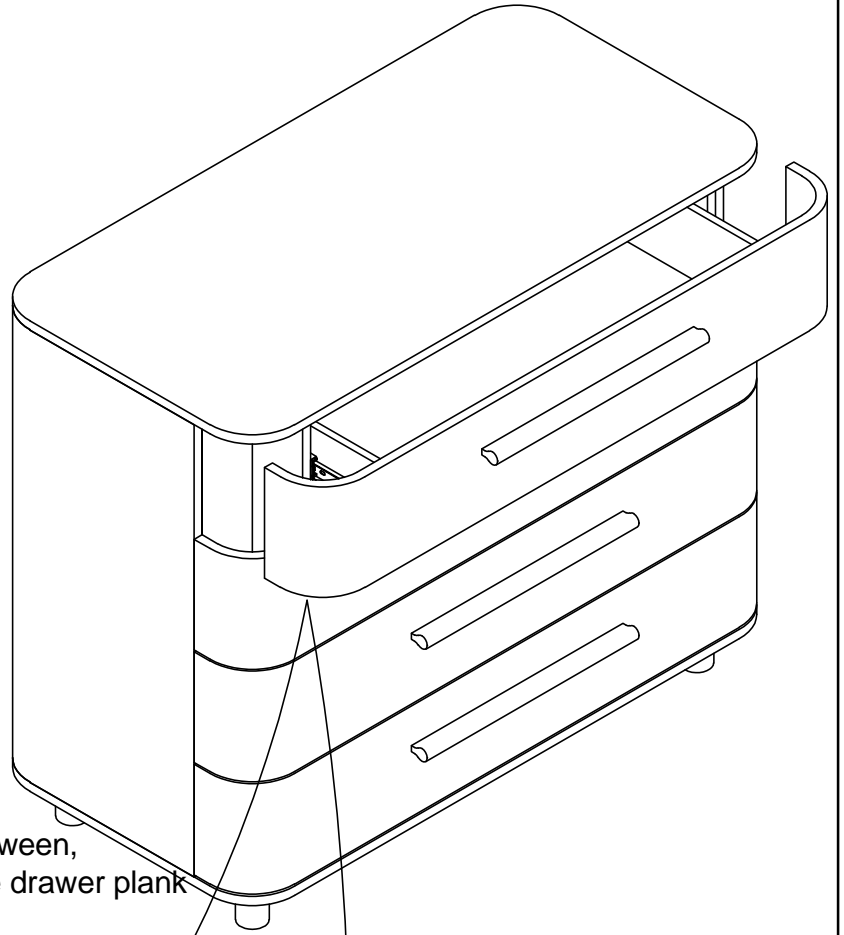
Dresser Milan

STEP 11

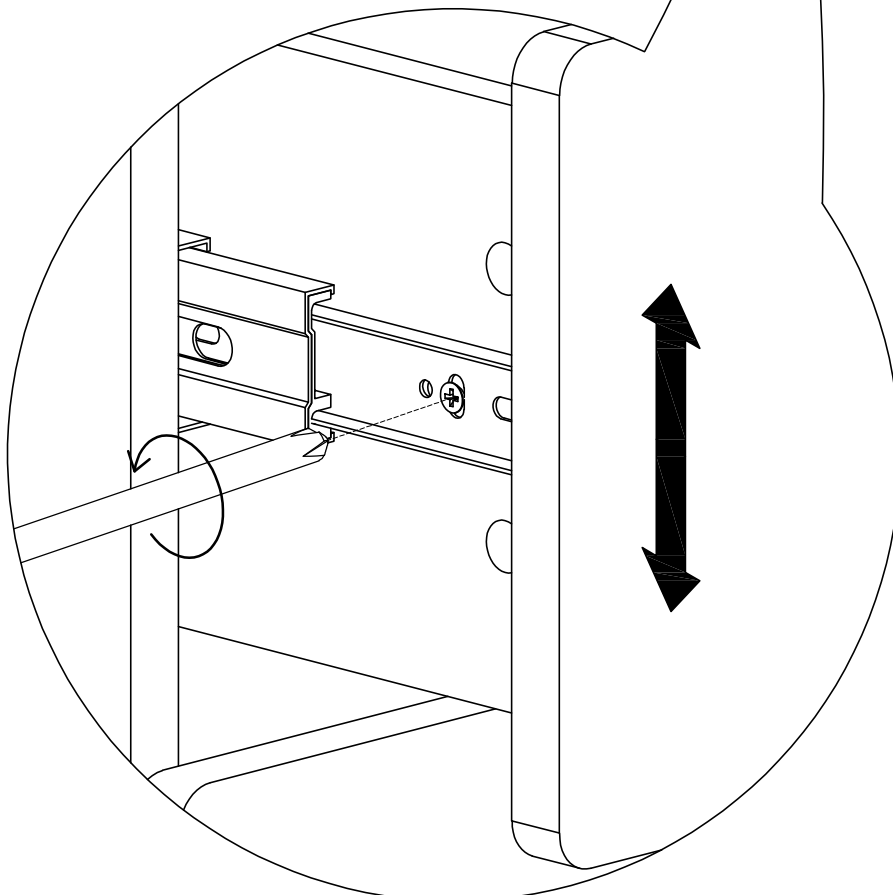


Dresser Milan

STEP 12



If the gap between the drawing plank is too small or there is a collision in between, please loosen the screw and adjust the drawer plank up or down:



Dresser Milan

STEP 13

