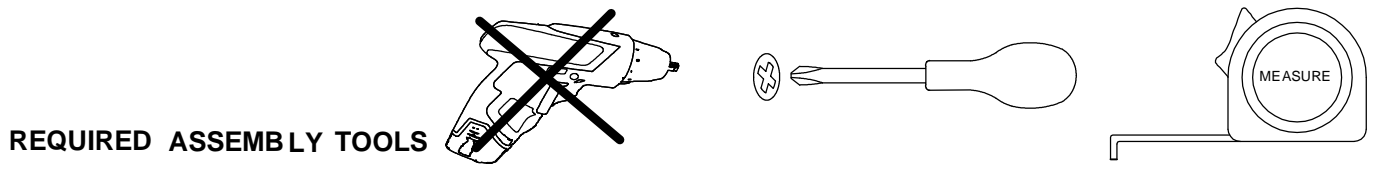
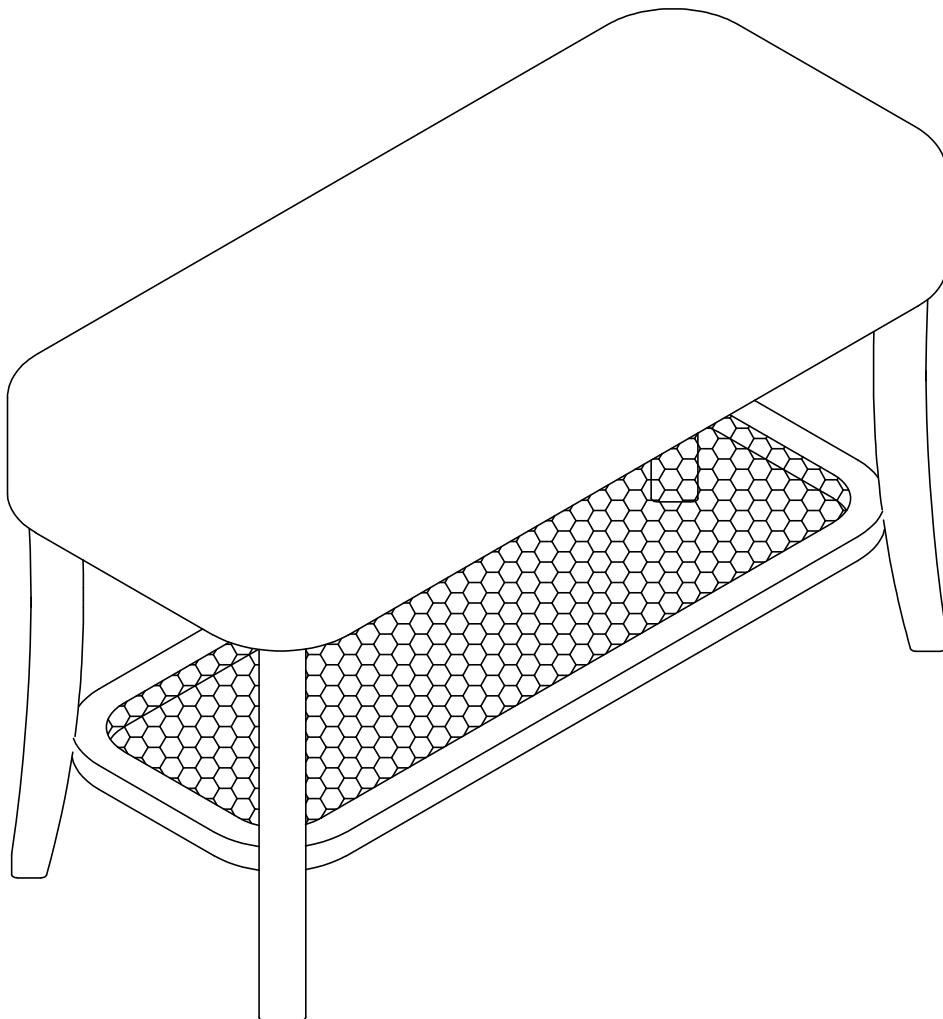


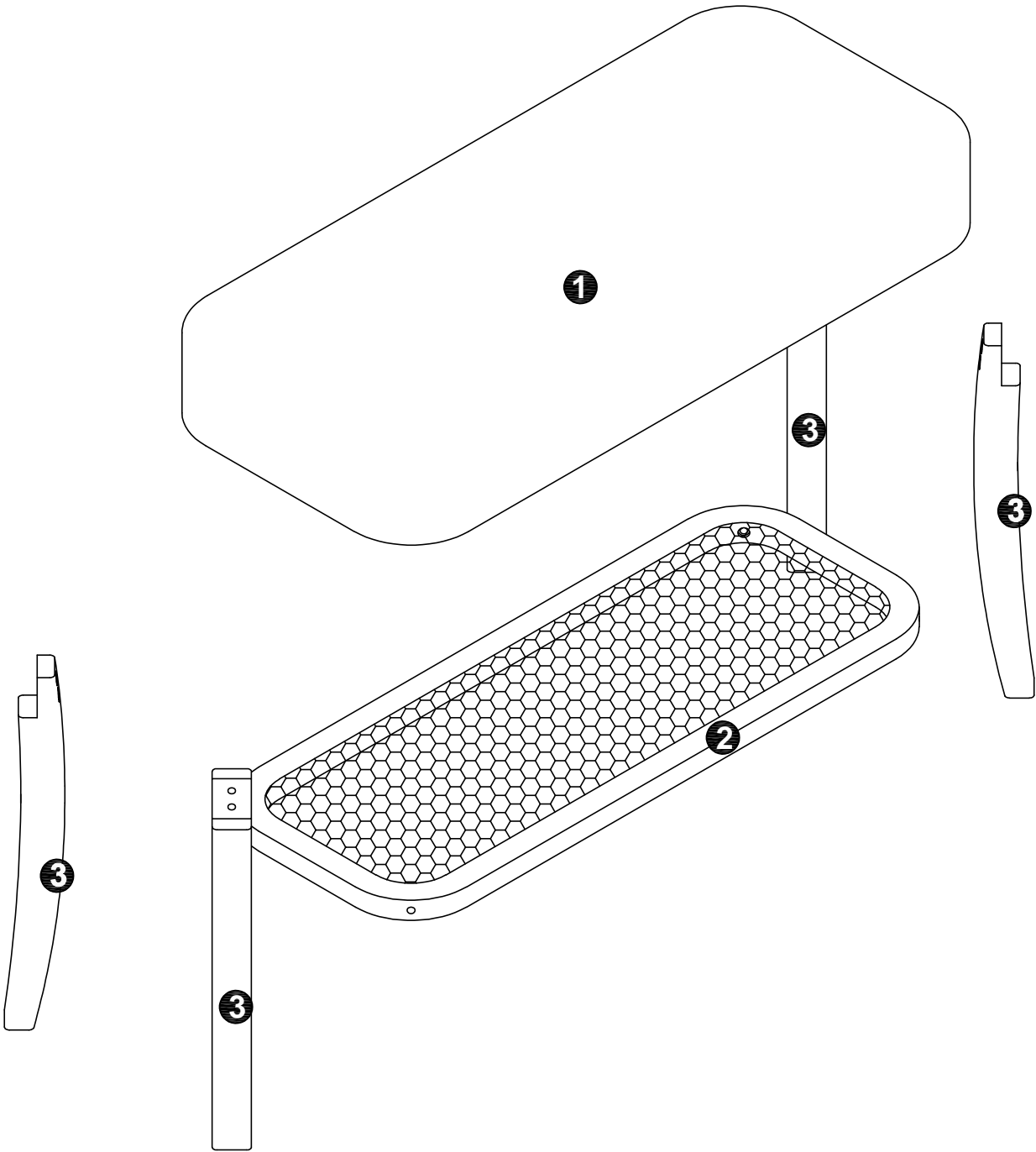
Bench Bahia



ASSEMBLED DIMENSIONS

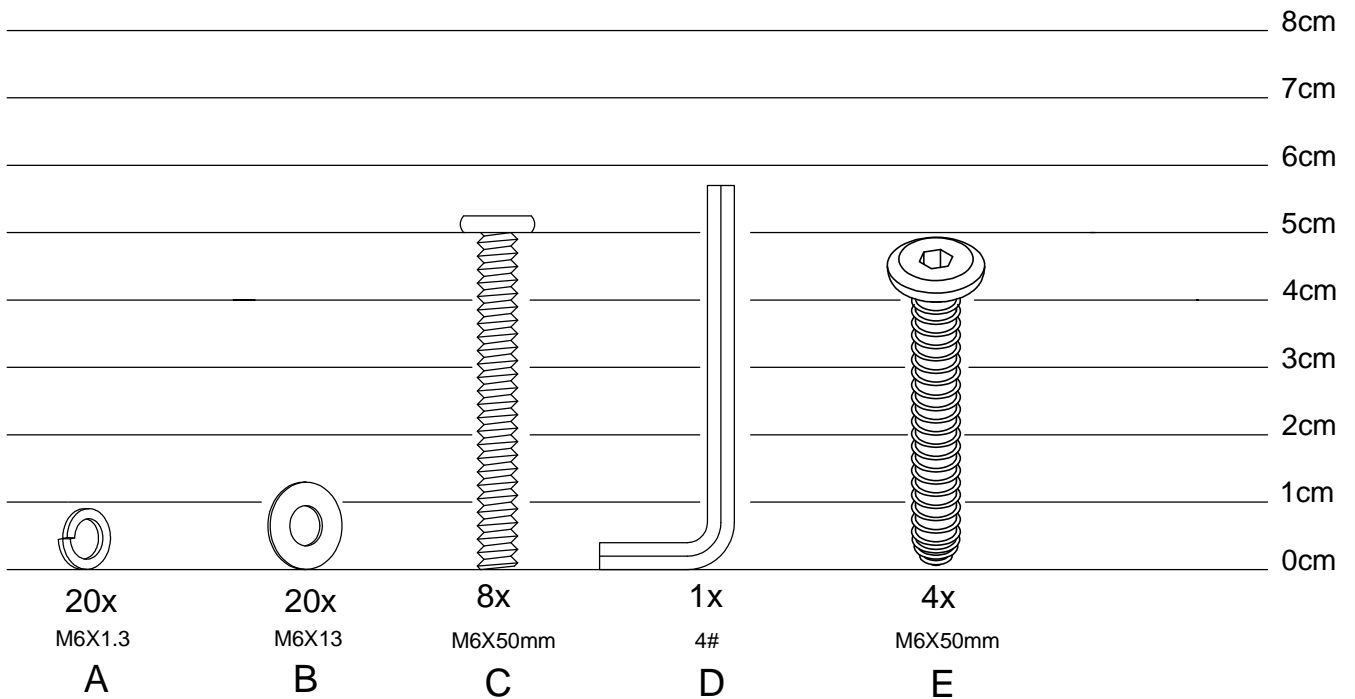


Bench Bahia

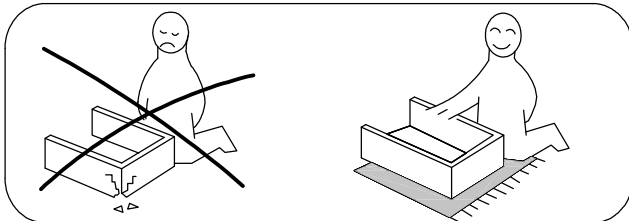
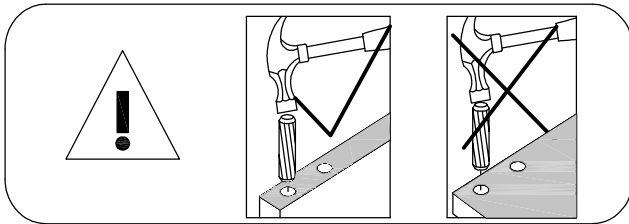
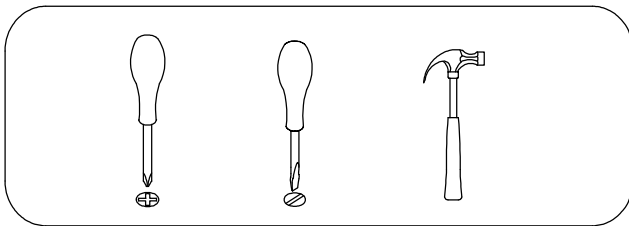


Bench Bahia

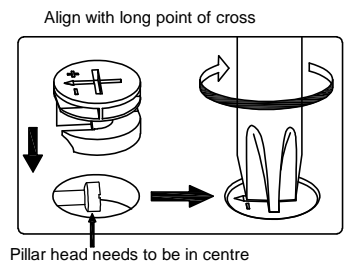
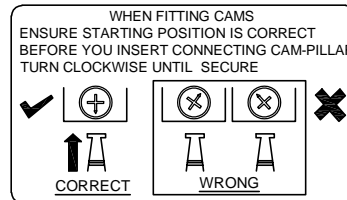
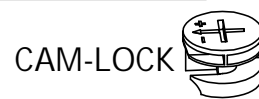
NO.	PARTS LIST	QTY	NO.	PARTS LIST	QTY
①	seat pad	1	③	feet	4
②	lower panel	1			



Bench Bahia

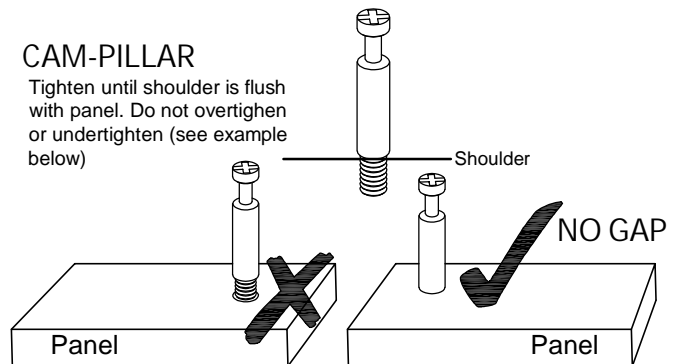


TIPS FOR FITTING CAM-LOCKS AND CAM-PILLARS



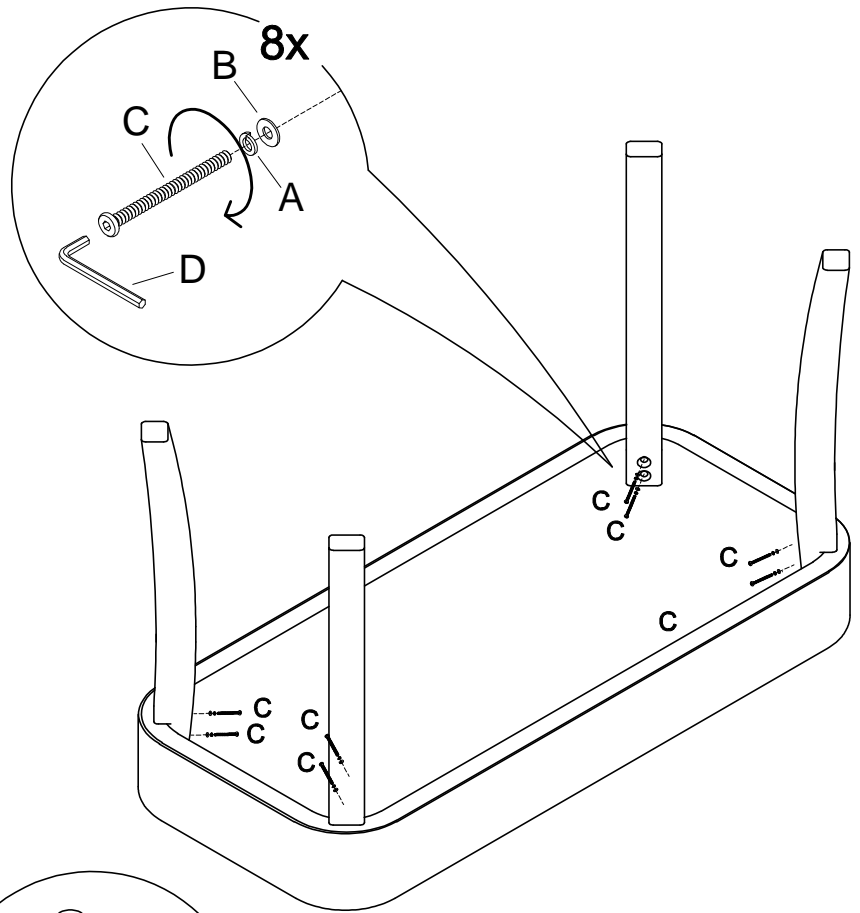
CAM-PILLAR

Tighten until shoulder is flush with panel. Do not overtighten or undertighten (see example below)

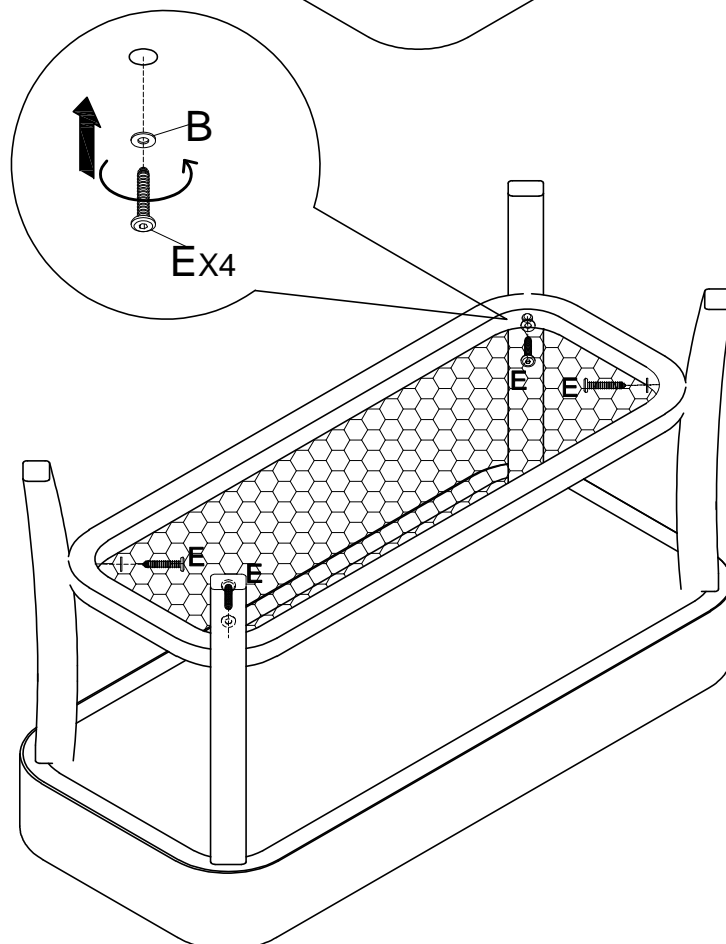


Bench Bahia

STEP 1



STEP 2



Bench Bahia

STEP 3

