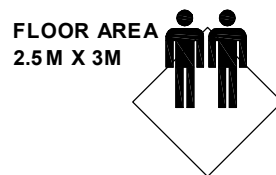
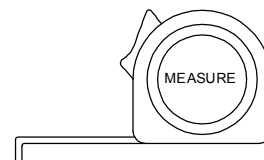
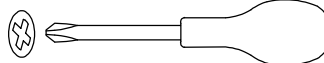
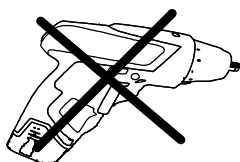


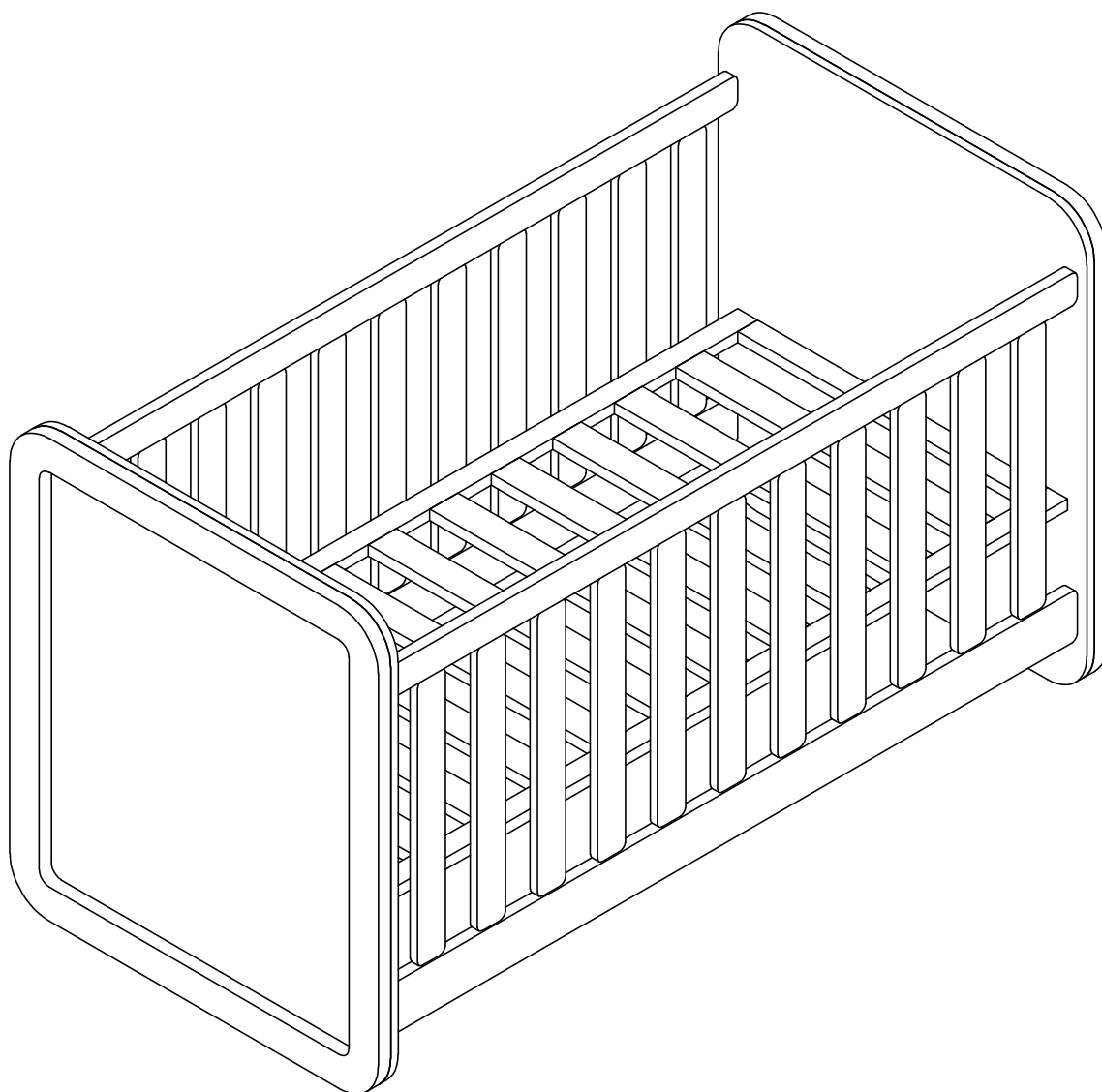
# Laslo baby cot



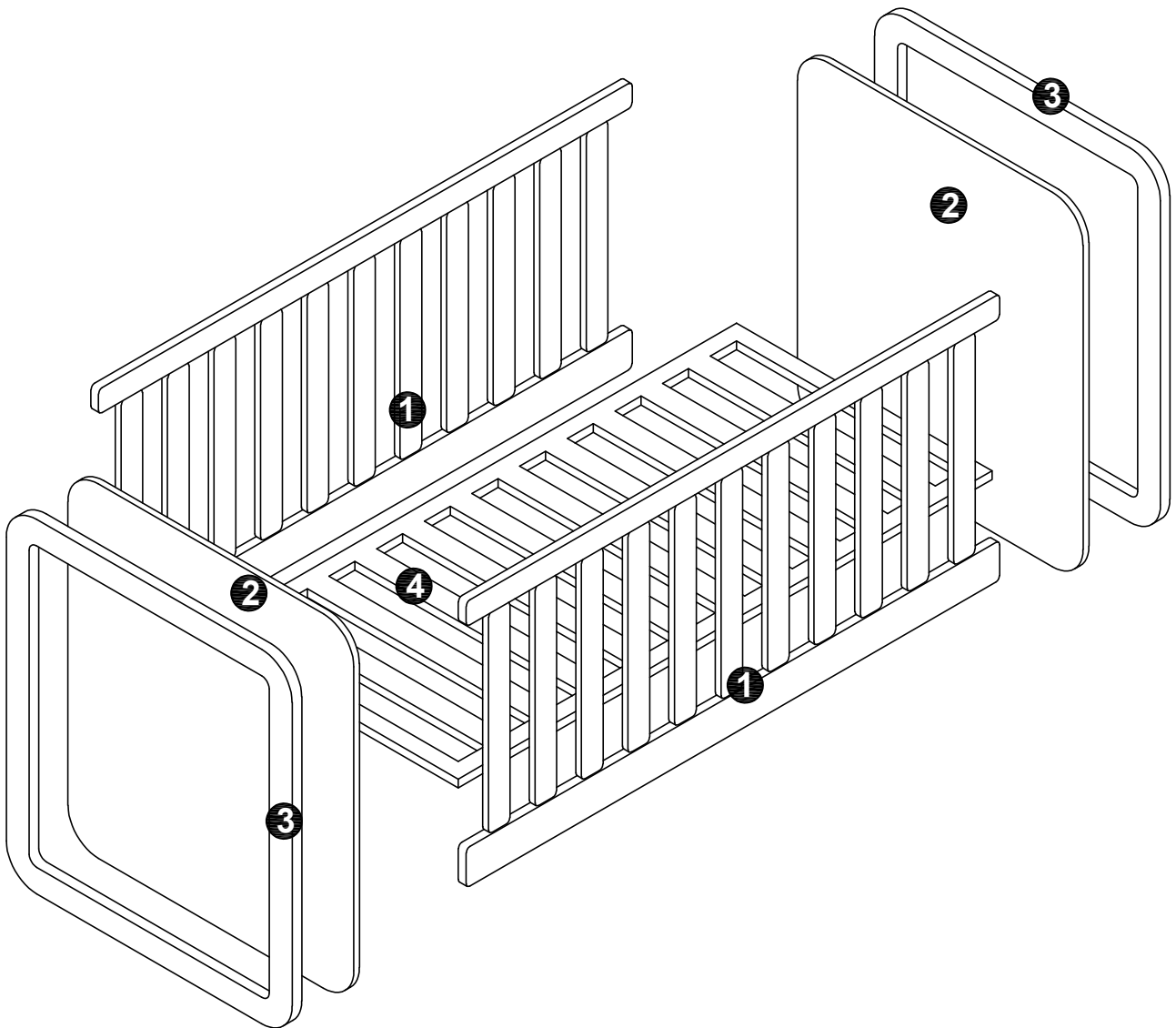
**REQUIRED ASSEMBLY TOOLS**



## ASSEMBLED DIMENSIONS



# Laslo baby cot

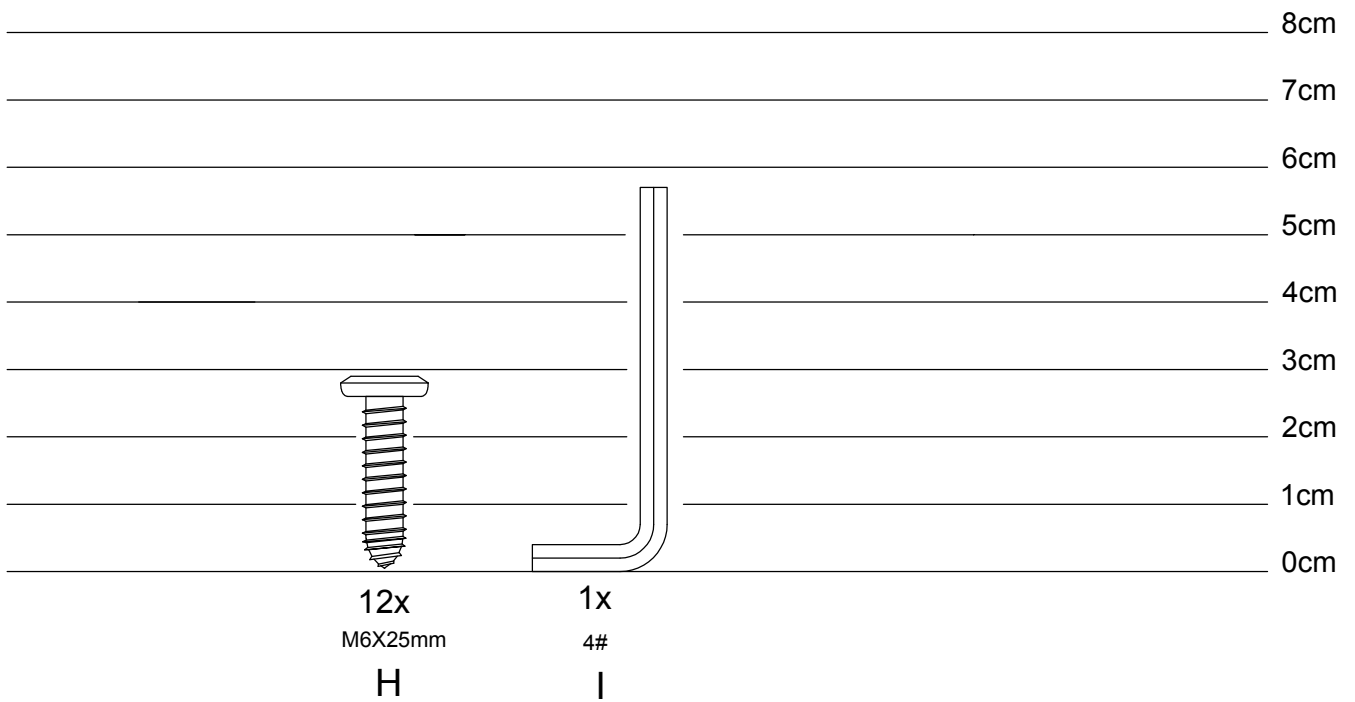
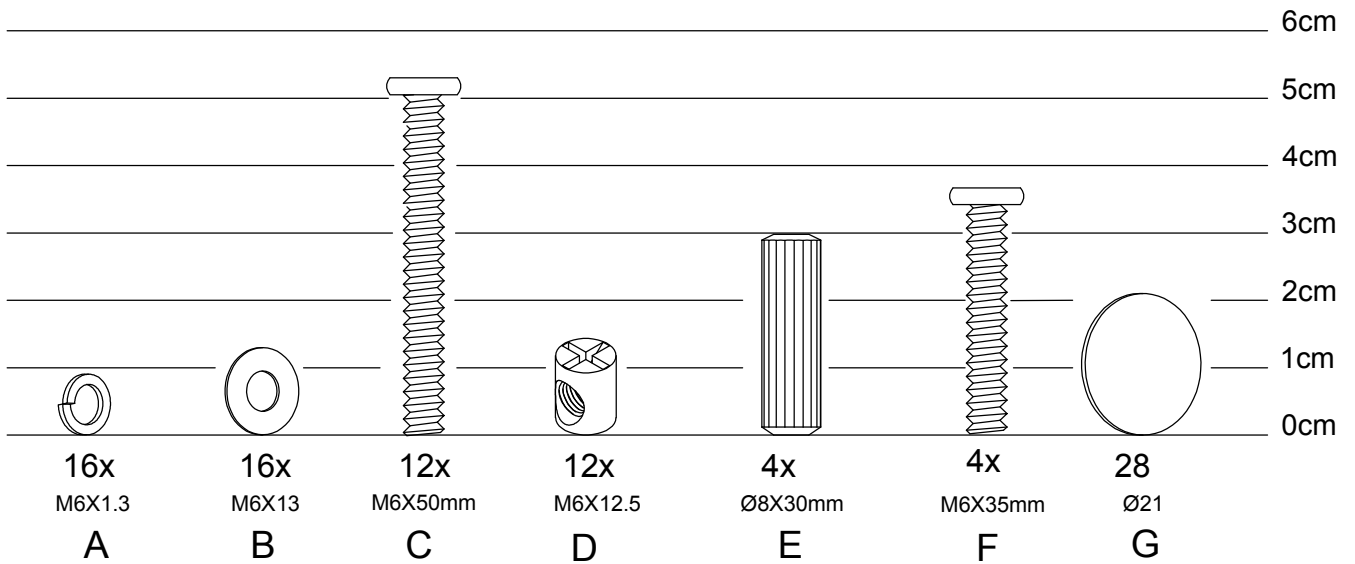


# Laslo baby cot

<b>PACK 1</b>			<b>PACK 2</b>		
<b>NO.</b>	<b>PARTS LIST</b>	<b>QTY</b>	<b>NO.</b>	<b>PARTS LIST</b>	<b>QTY</b>
①	Rail guard	2	②	Bed sides	2
④	Slatted frame	1	③	Wooden frame	2

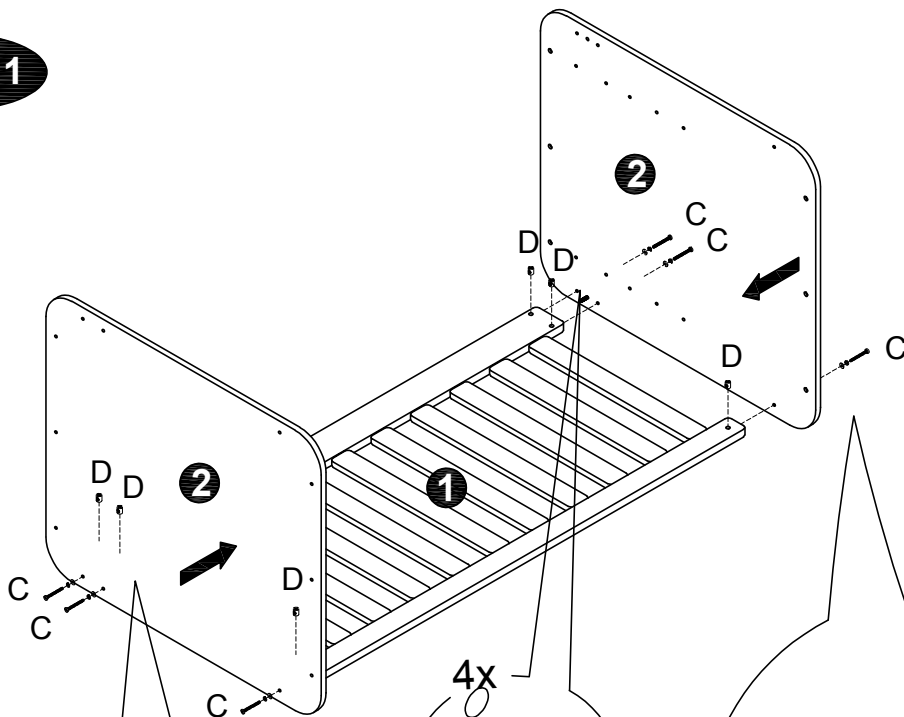
# Laslo baby cot

## HARDWARE LIST

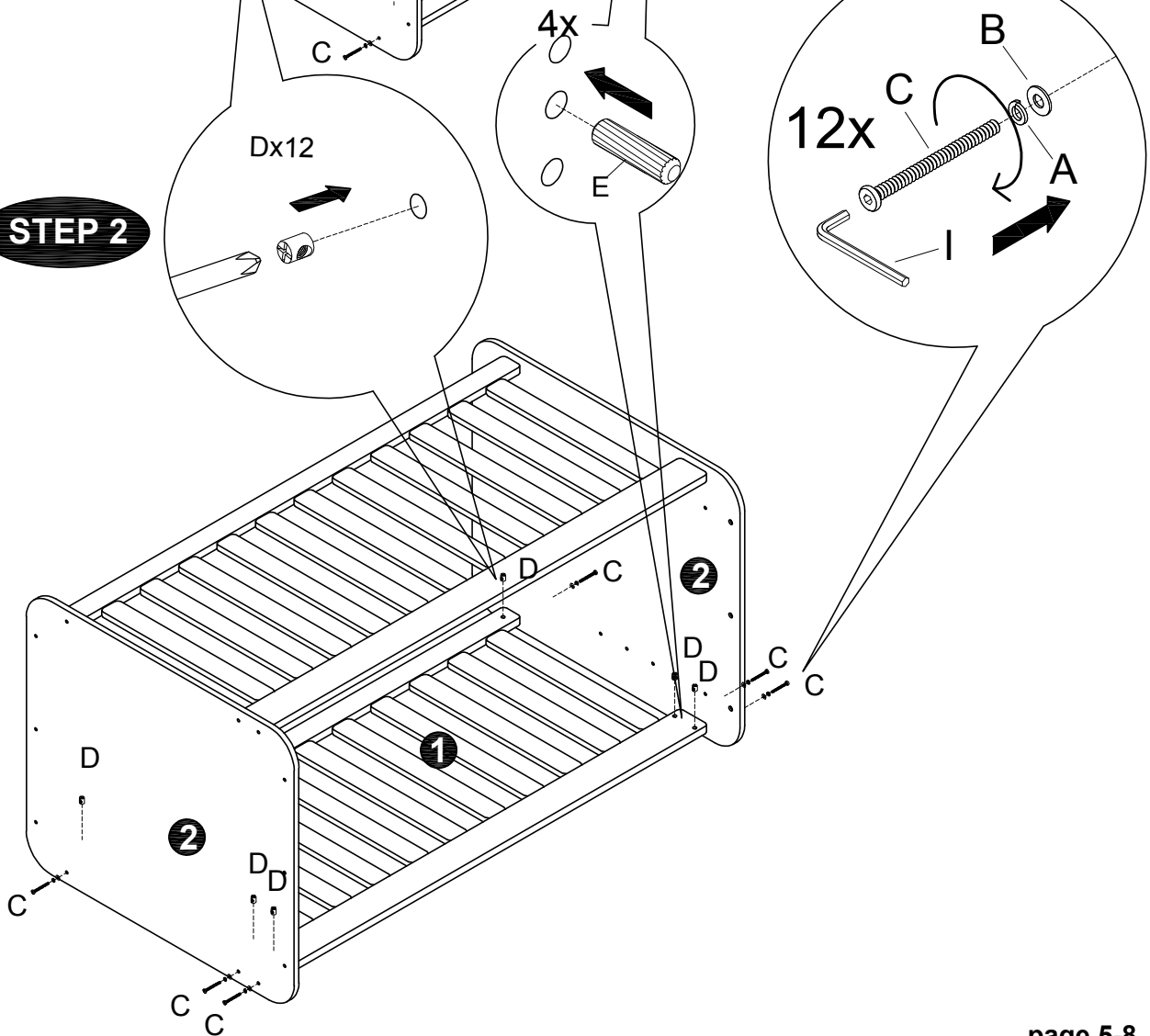


# Laslo baby cot

## STEP 1

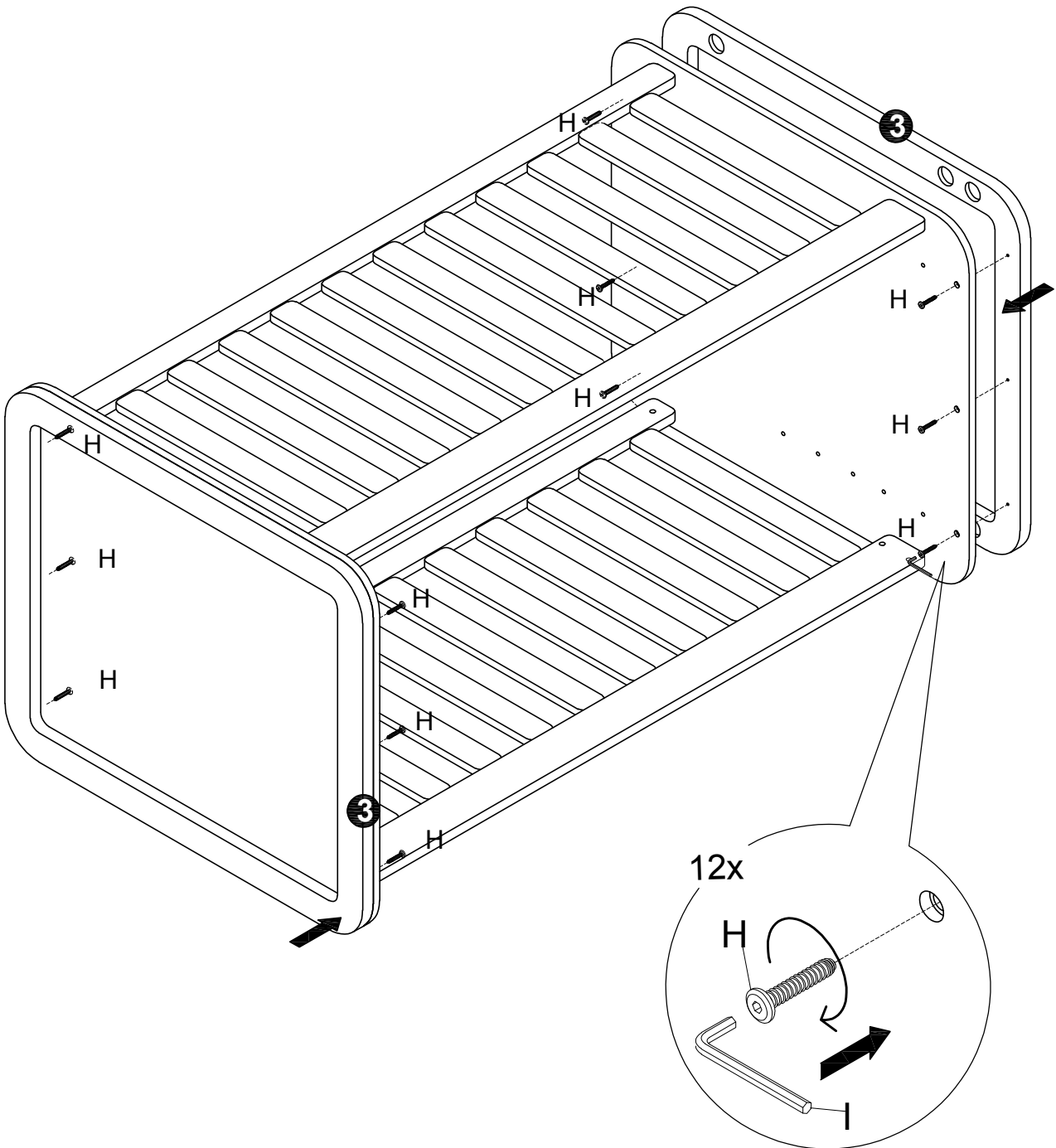


## STEP 2



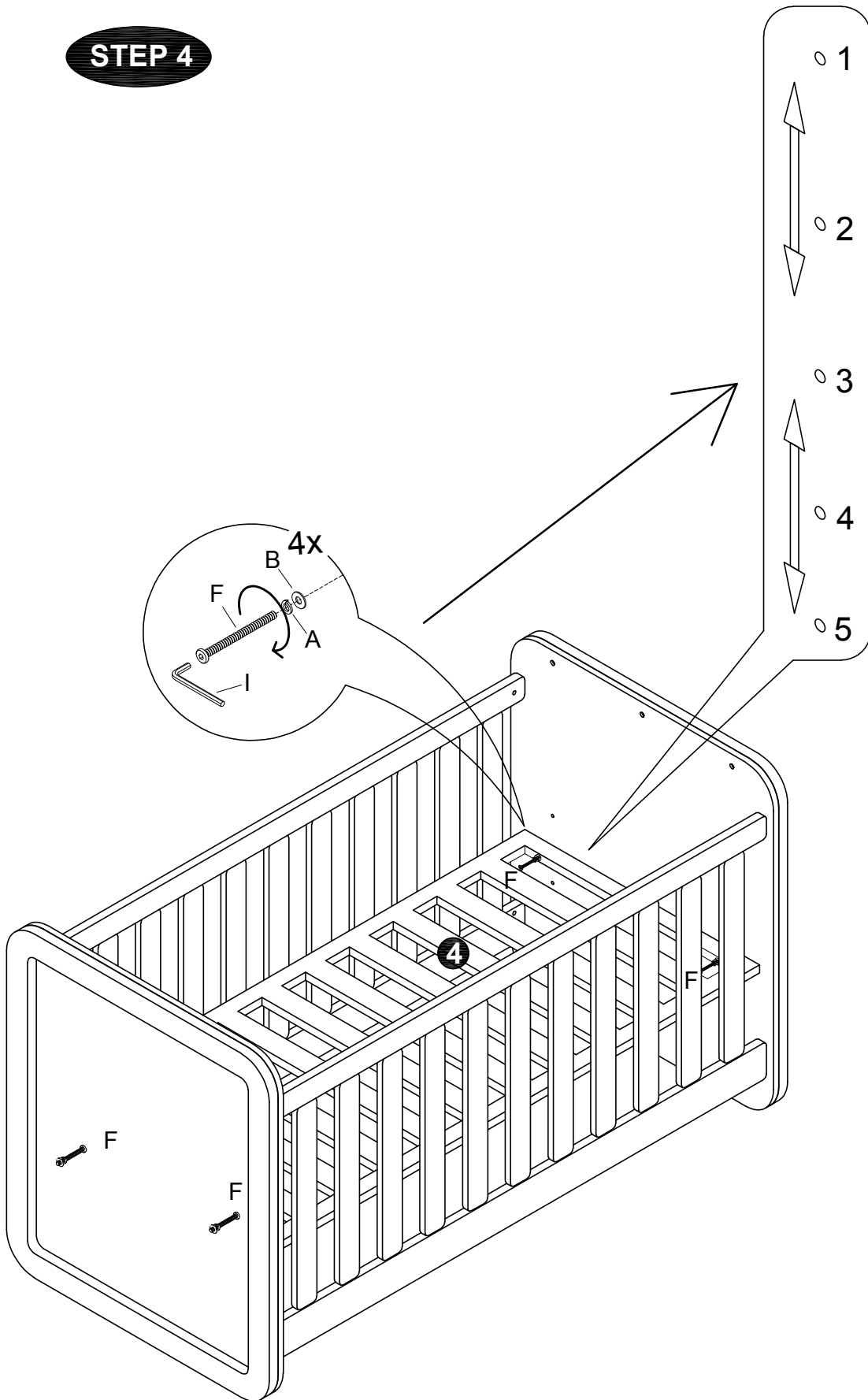
# Laslo baby cot

**STEP 3**



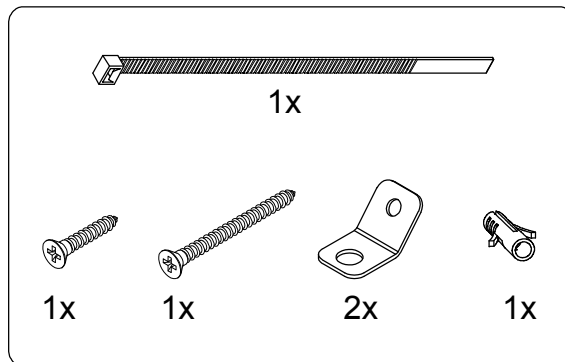
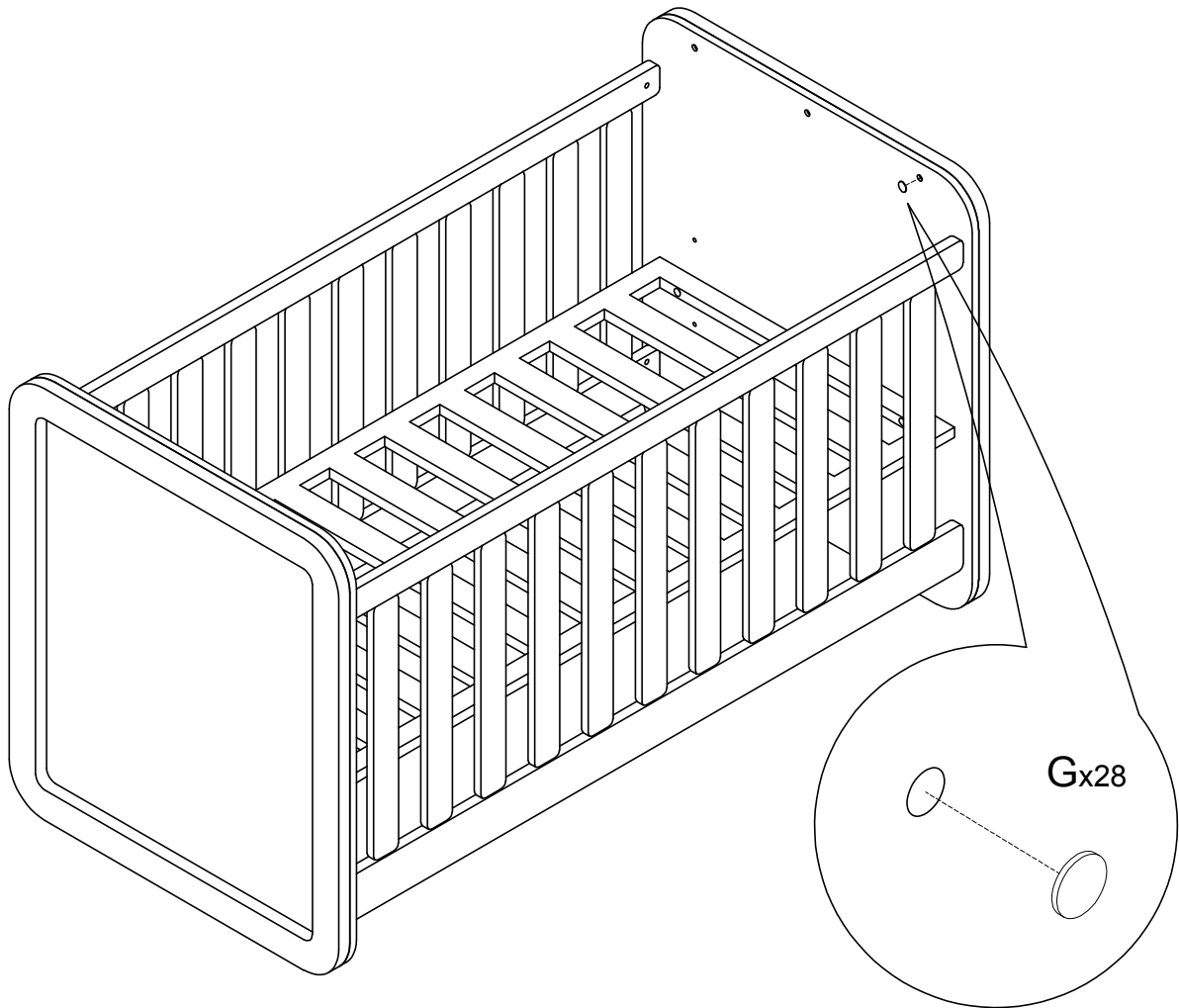
# Laslo baby cot

**STEP 4**



# Laslo baby cot

## STEP 5



Safety tip: Please attach the bed to the wall using the hardware provided.