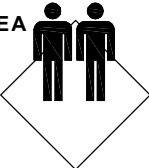


House shelf Karl

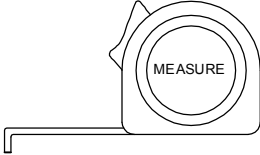
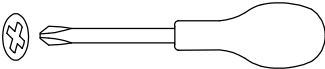
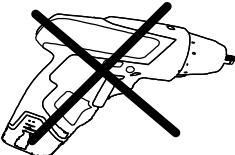
2 PERSON ASSEMBLY



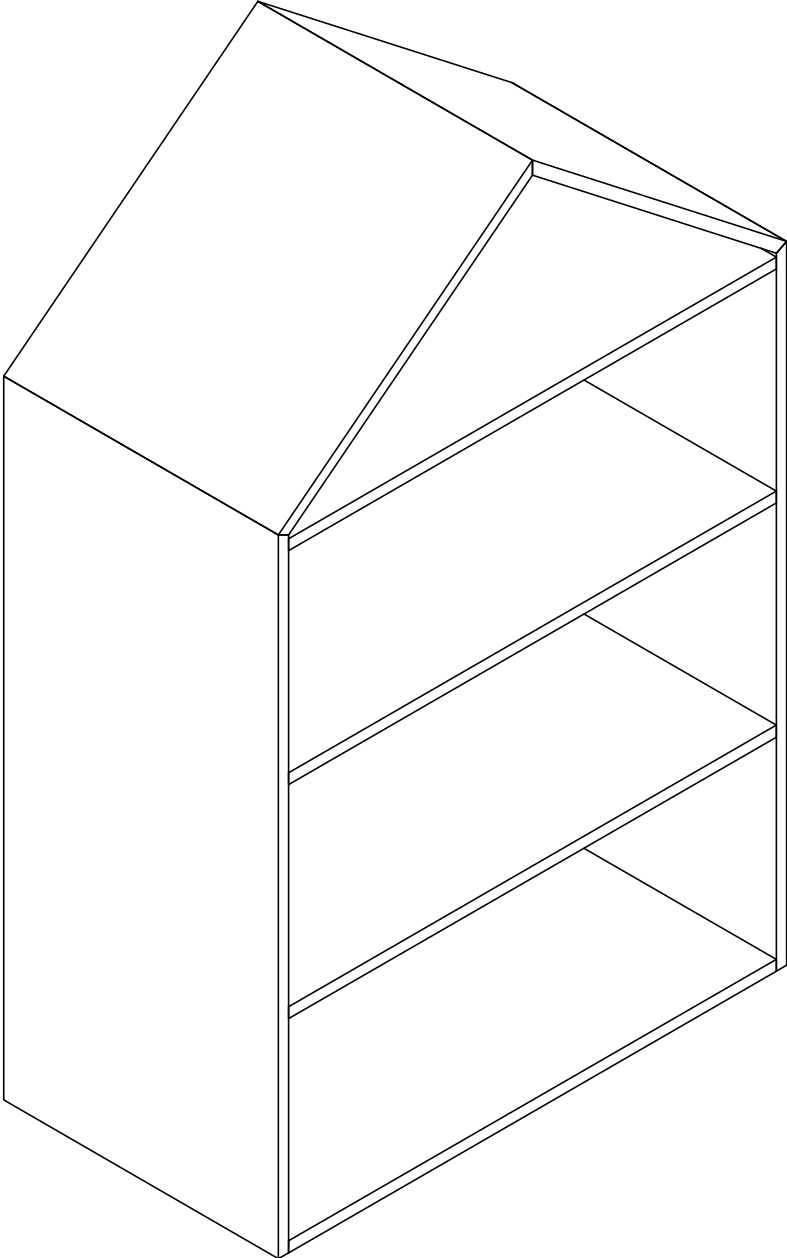
FLOOR AREA
2.5M X 3M



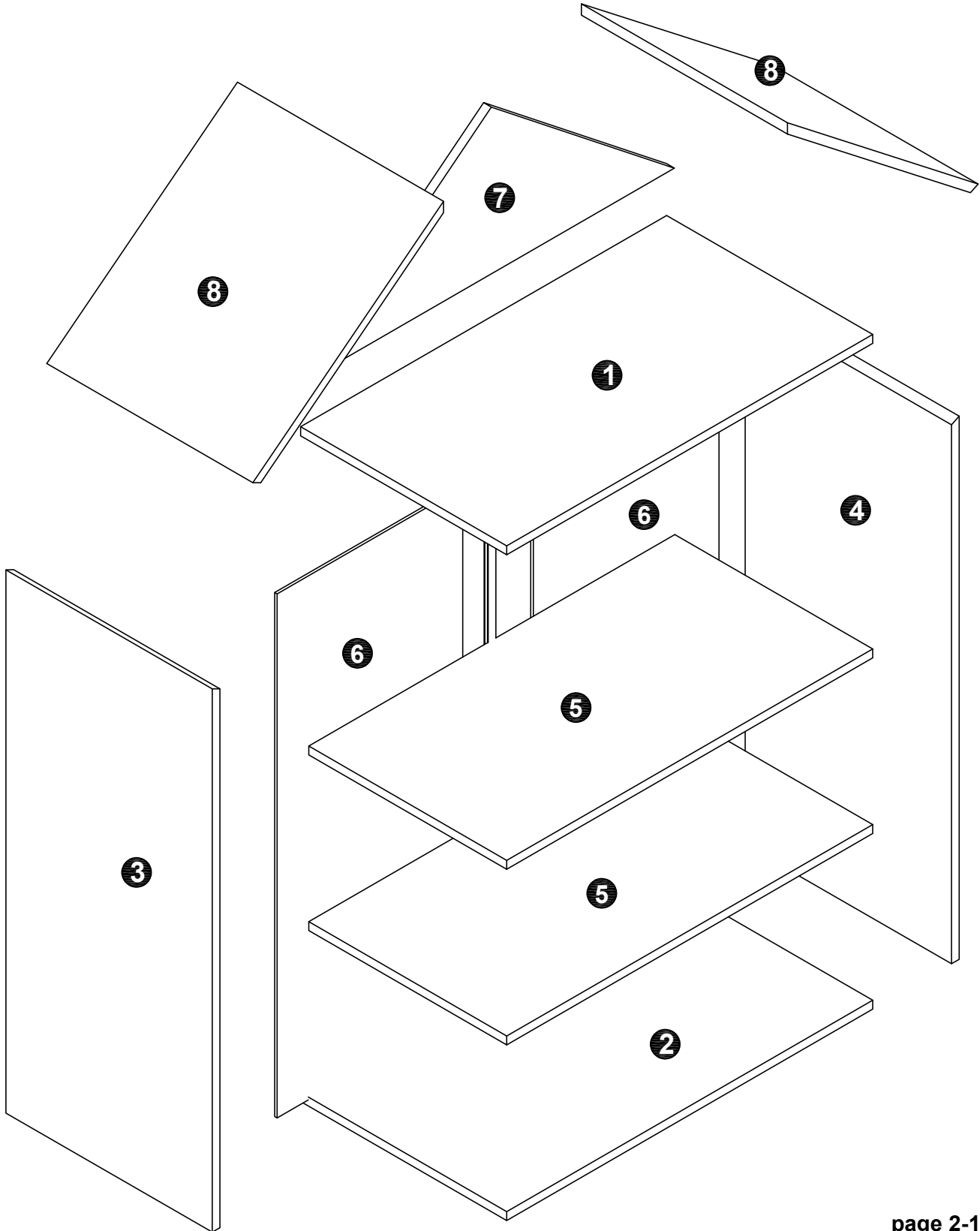
REQUIRED ASSEMBLY TOOLS



ASSEMBLED DIMENSIONS



House shelf Karl

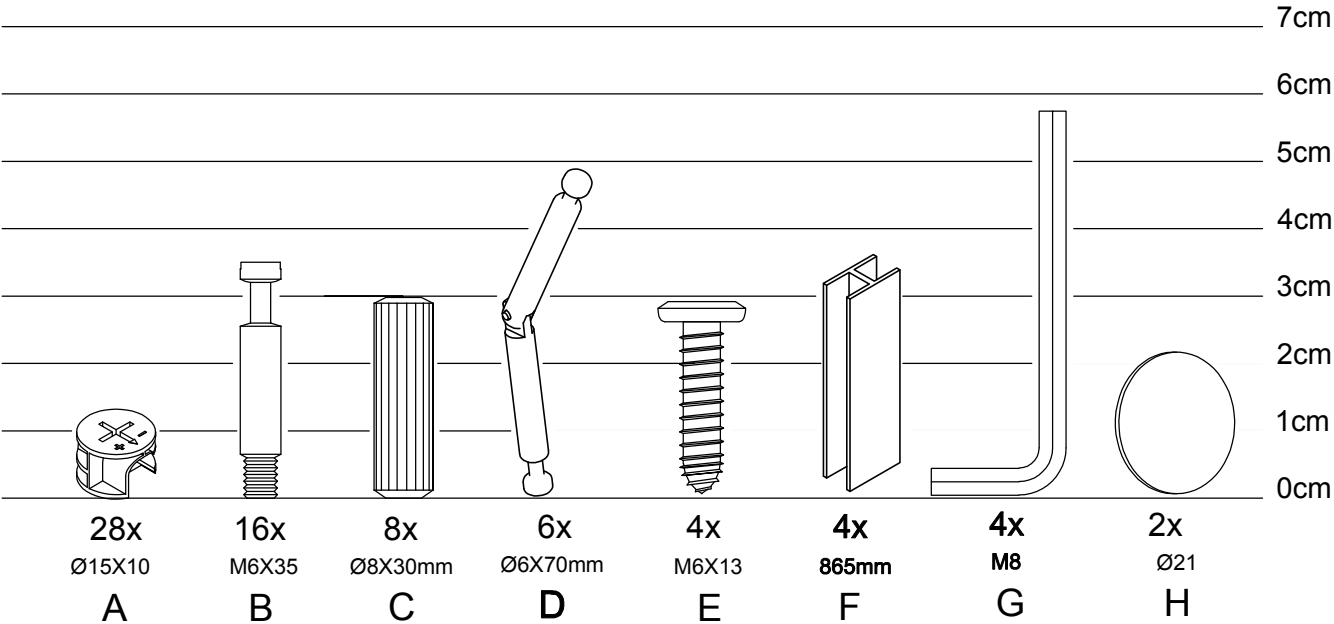


House shelf Karl

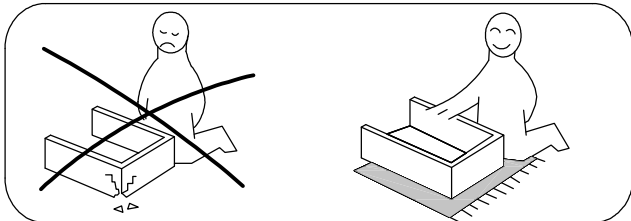
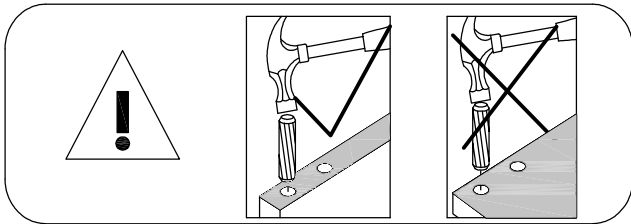
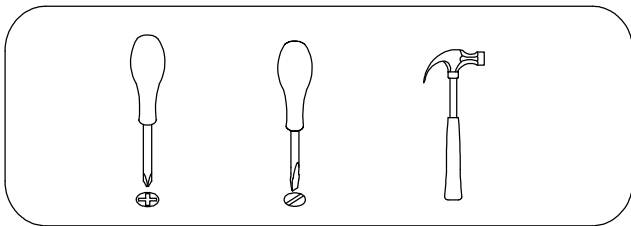
PACK 1			PACK 2		
NO.	PARTS LIST	QTY	NO.	PARTS LIST	QTY
①	Top panel	1	⑤	Panels	2
②	Bottom panel	1	⑥	Back panel	2
③	Left side	1	⑦	Top triangle	1
④	Right side	1	⑧	Roof panel	2

House shelf Karl

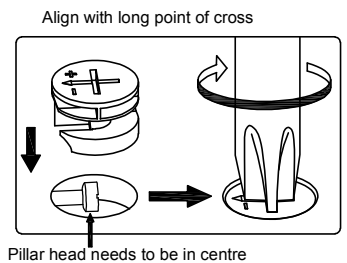
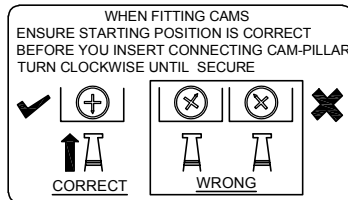
HARDWARE LIST



House shelf Karl

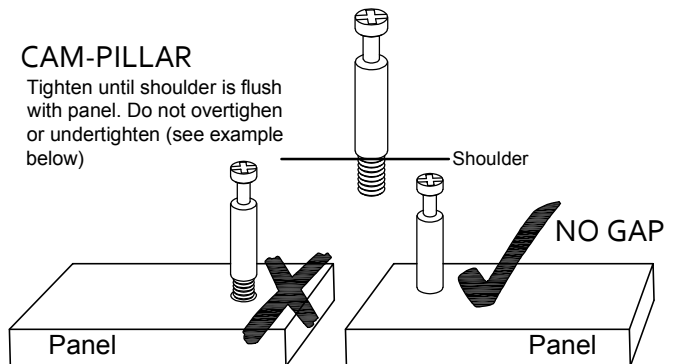


TIPS FOR FITTING CAM-LOCKS AND CAM-PILLARS



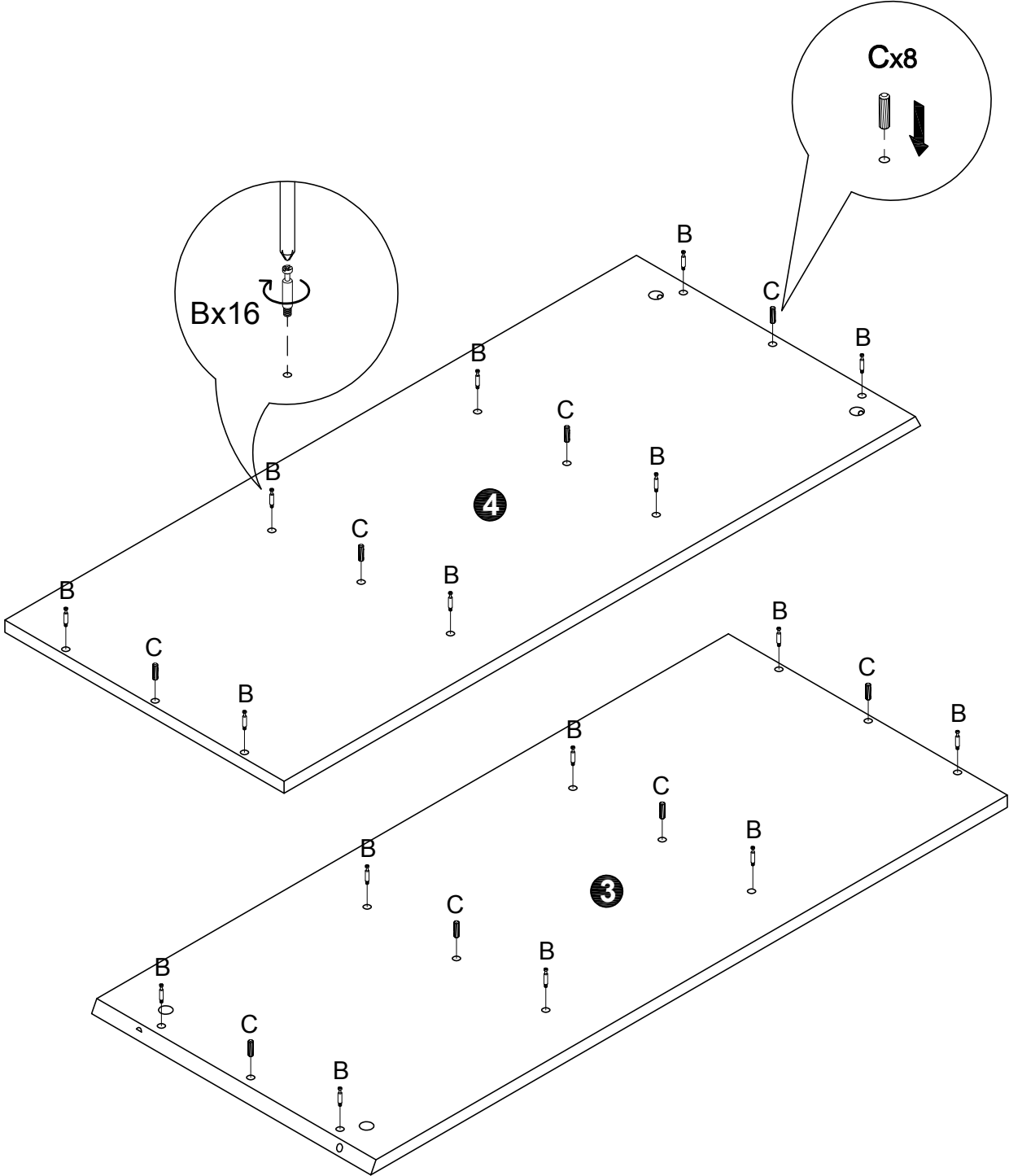
CAM-PILLAR

Tighten until shoulder is flush with panel. Do not overtighten or undertighten (see example below)



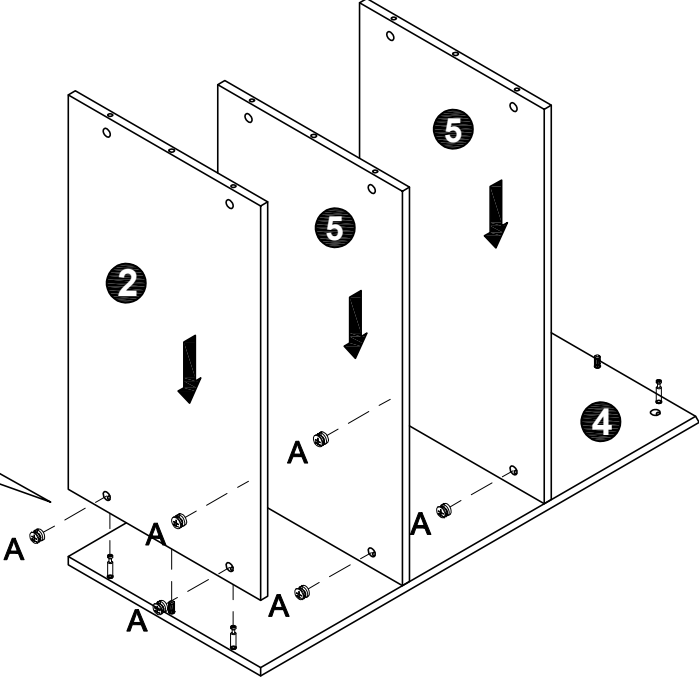
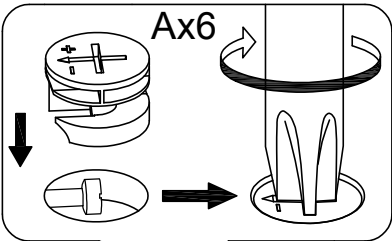
House shelf Karl

STEP 1

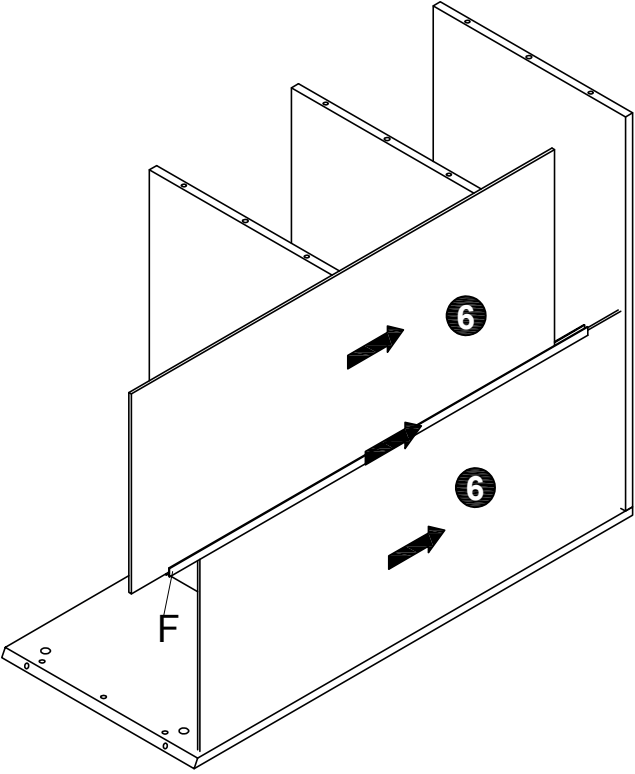


House shelf Karl

STEP 2

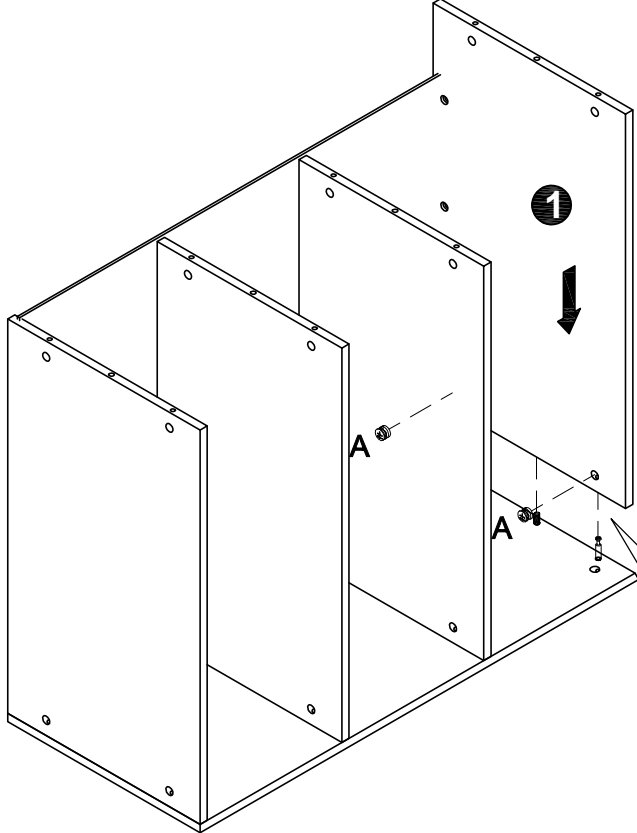


STEP 3

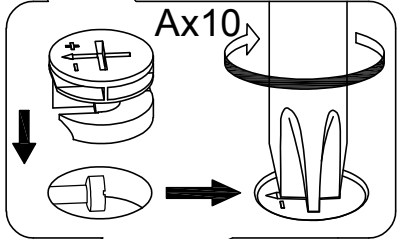
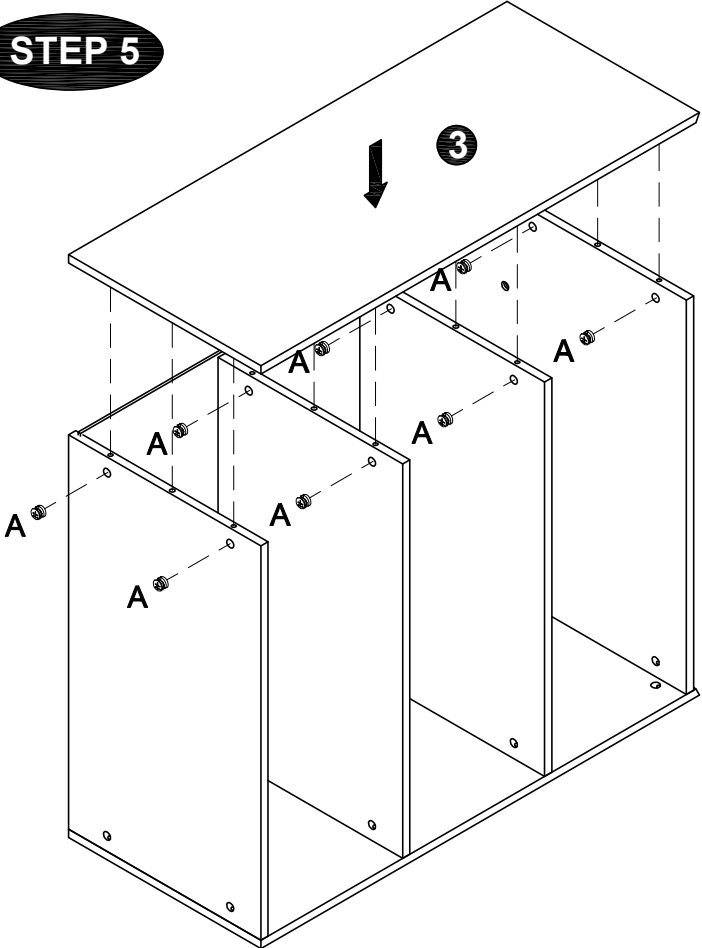


House shelf Karl

STEP 4

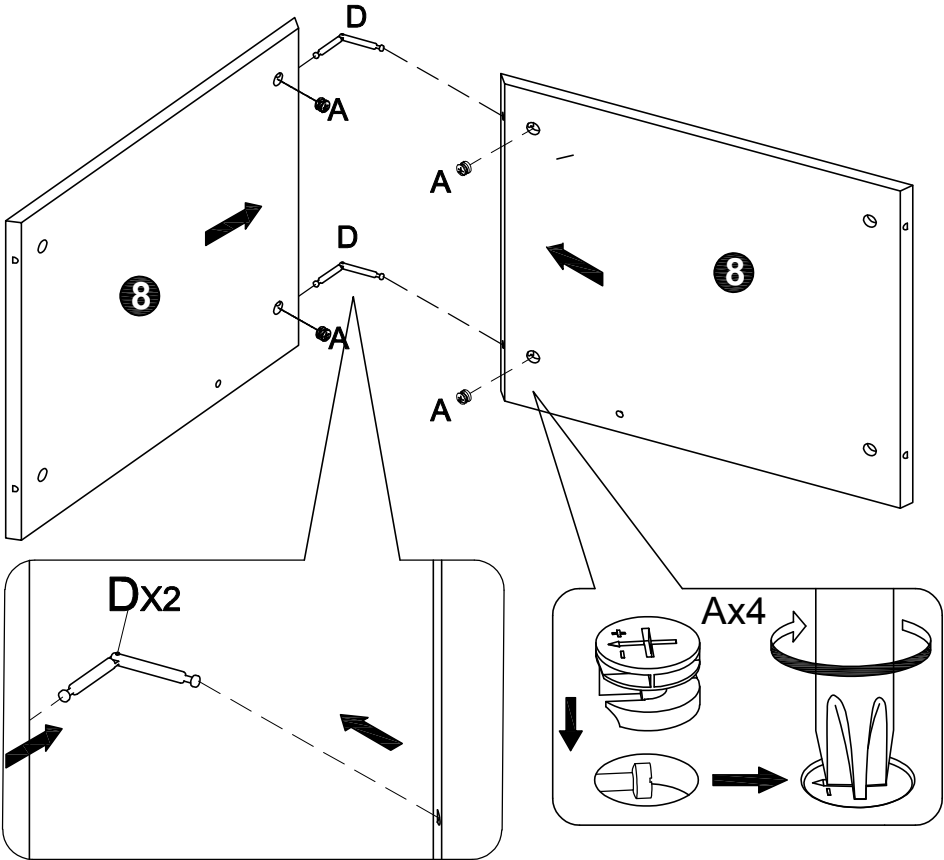


STEP 5

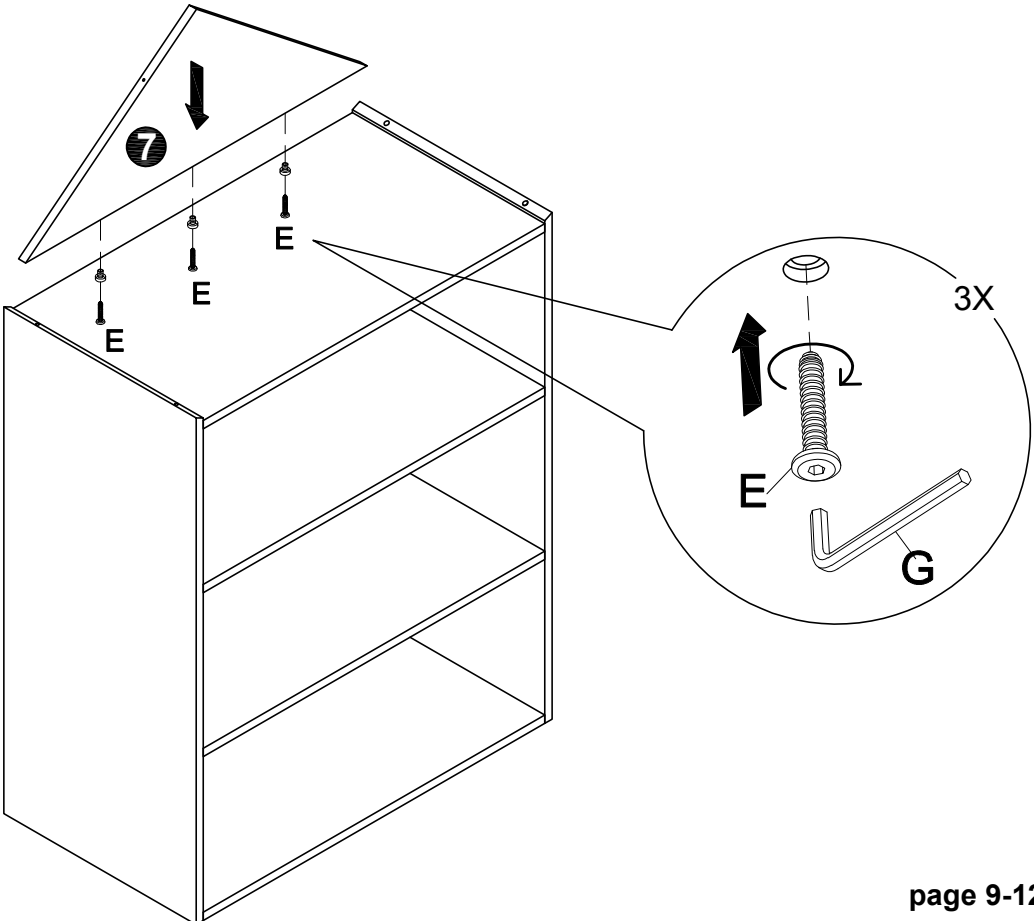


House shelf Karl

STEP 6

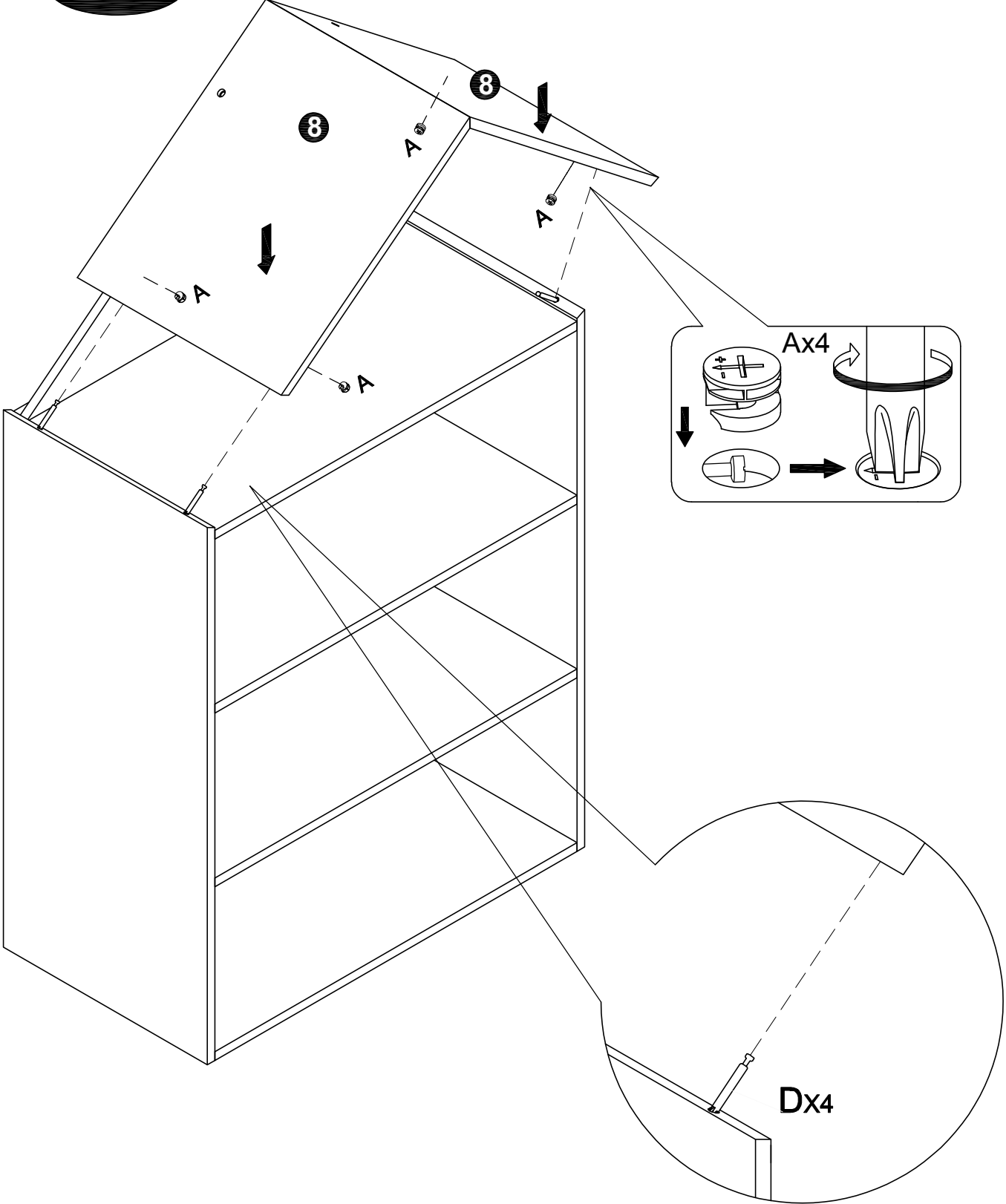


STEP 7



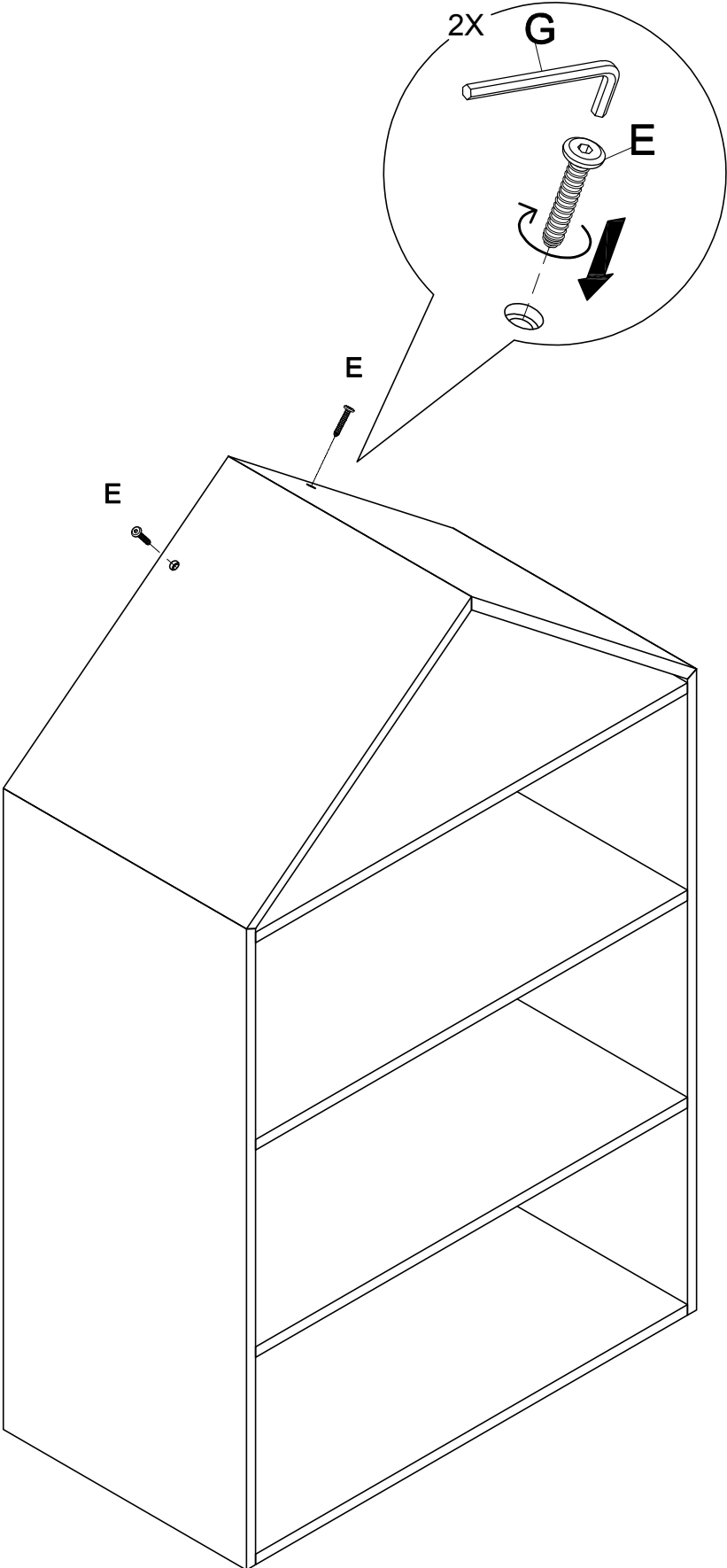
House shelf Karl

STEP 8



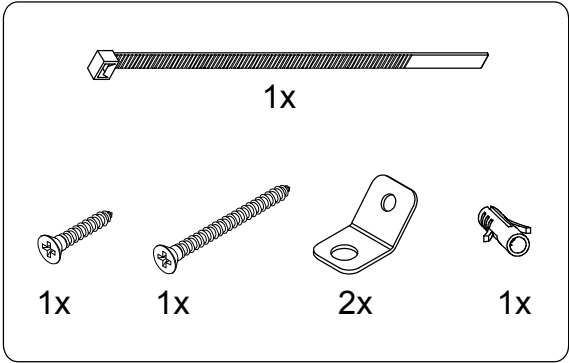
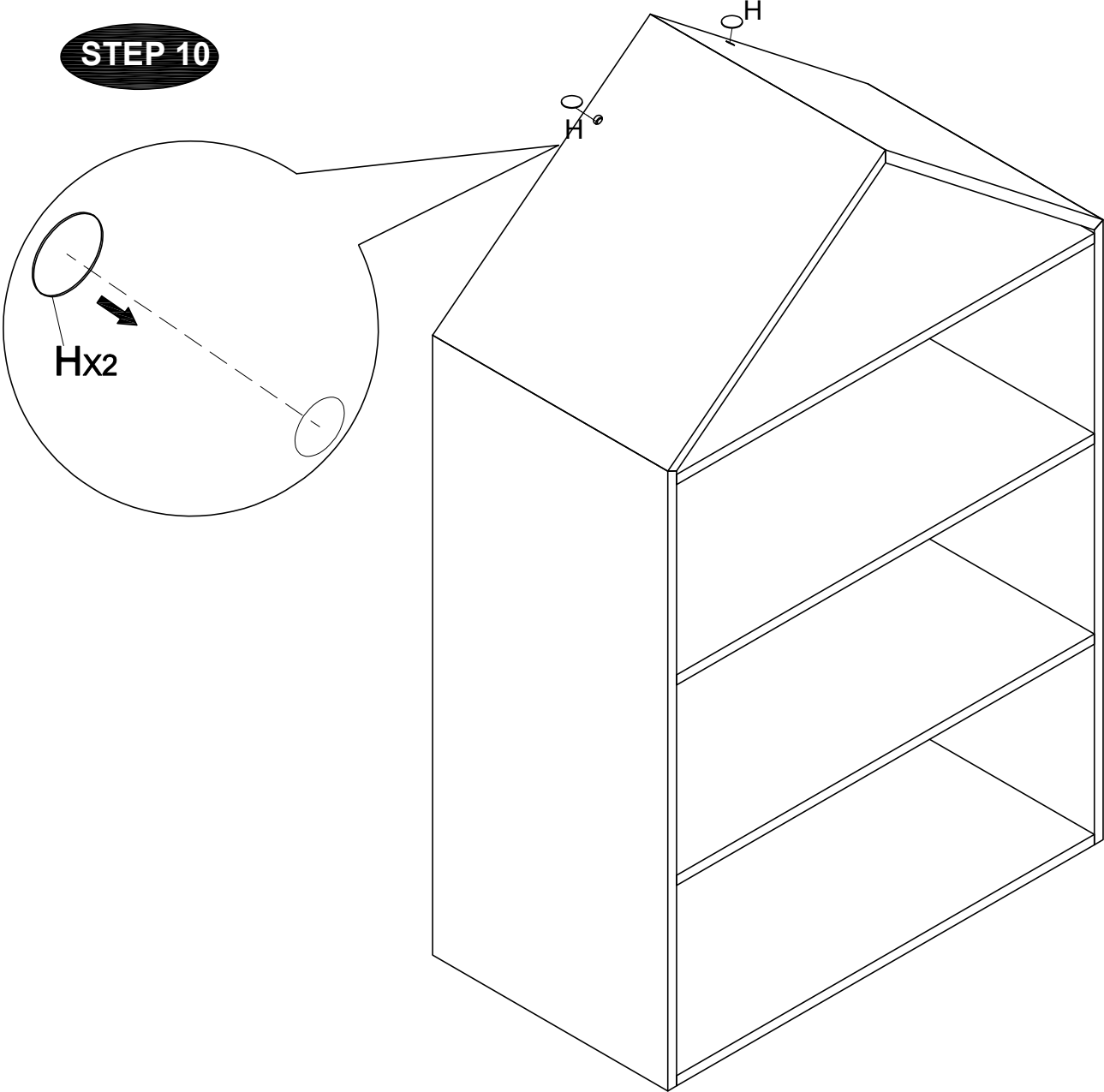
House shelf Karl

STEP 9



House shelf Karl

STEP 10



Safety tip: Please attach the wardrobe to the wall using the hardware provided.