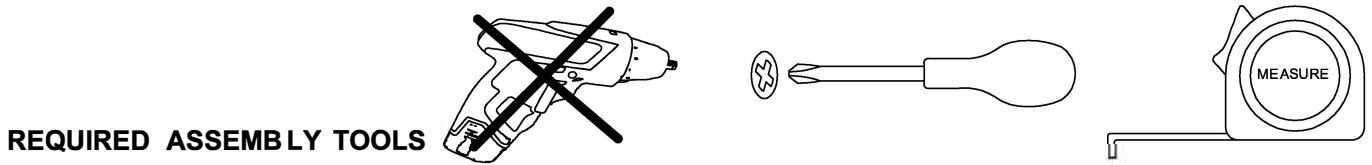
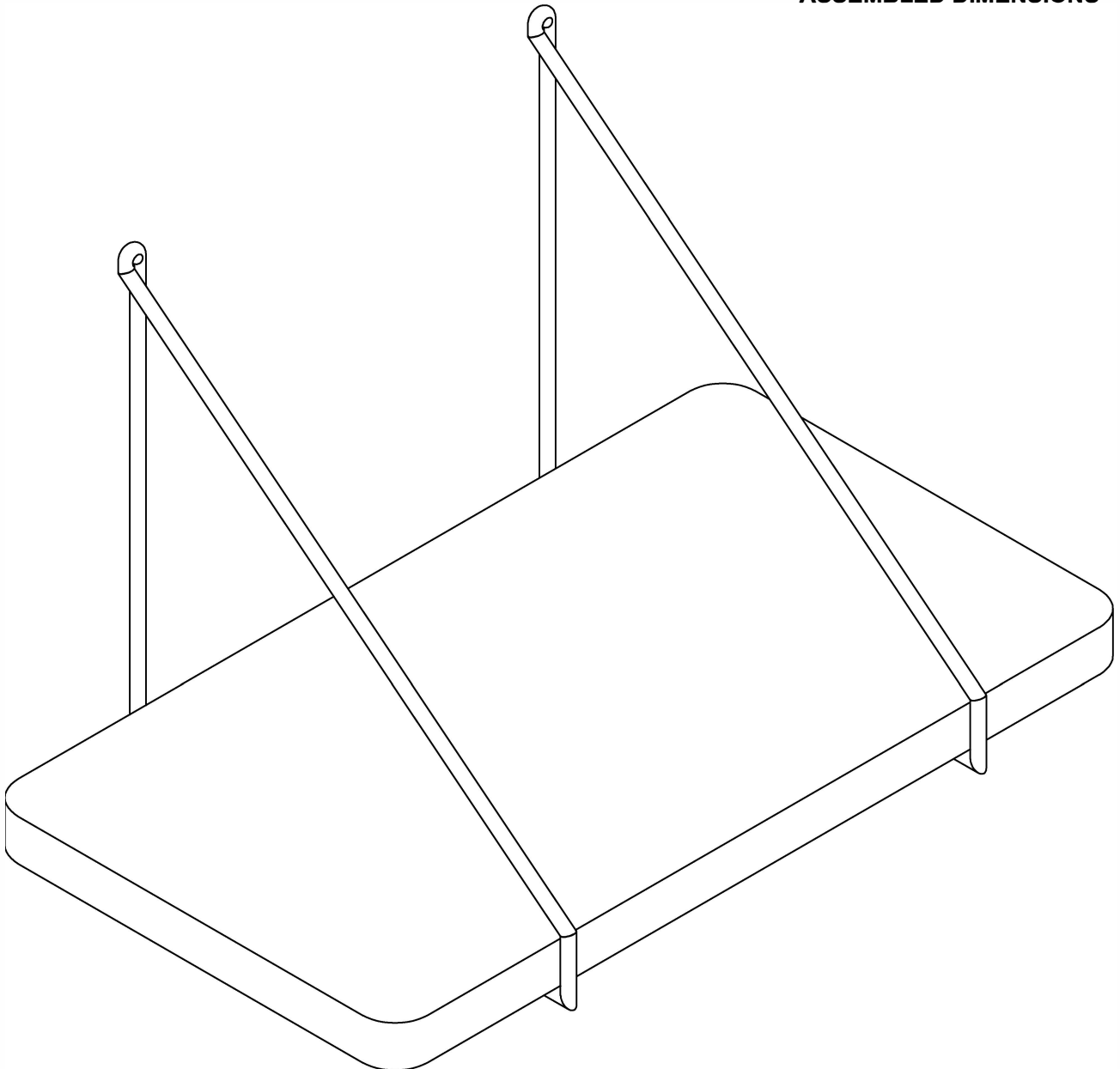


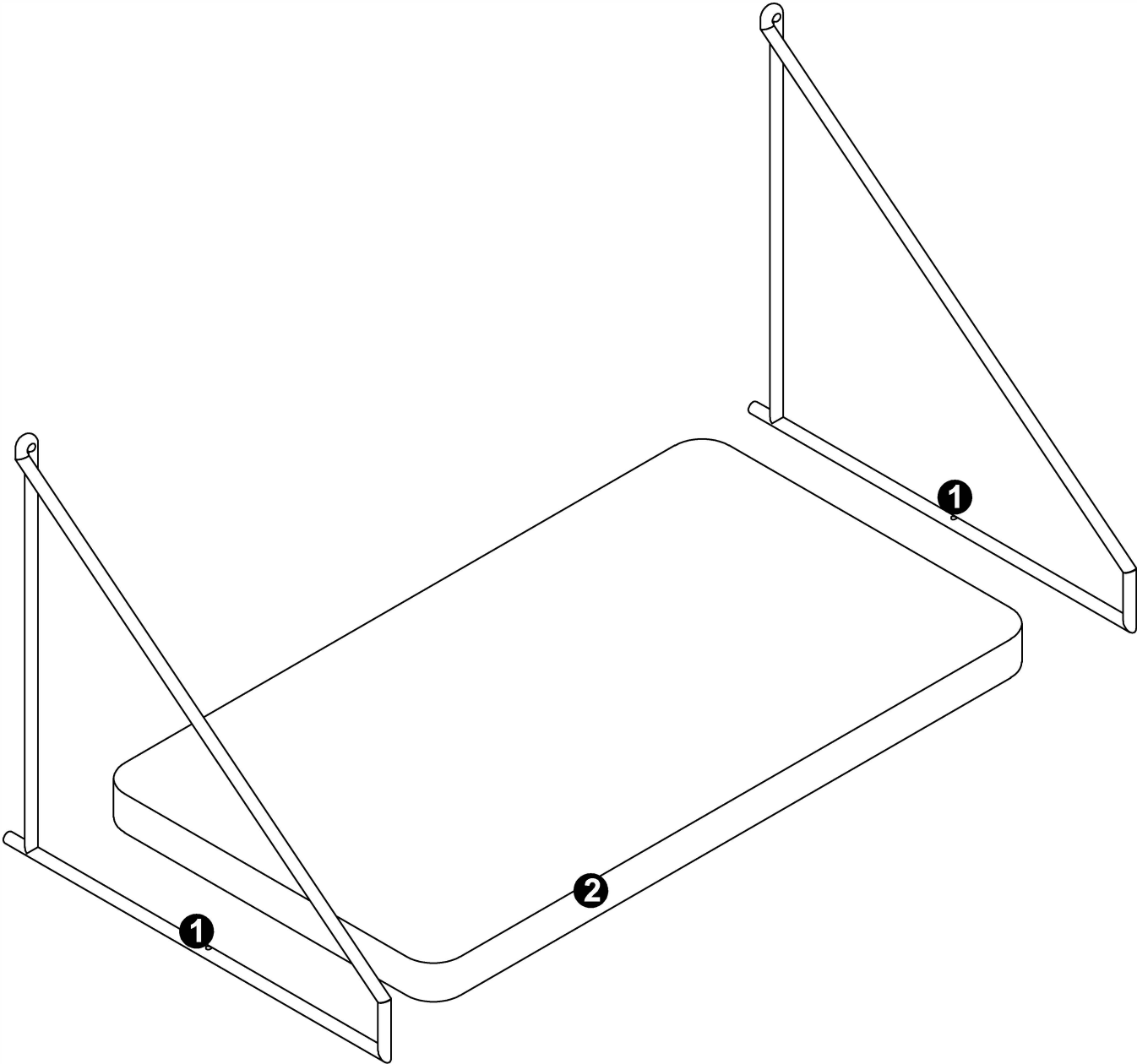
My Shelfie Studio 45/60x25



ASSEMBLED DIMENSIONS



My Shelfie Studio 45/60x25



PACK 1			PACK 2		
NO.	PARTS LIST	QTY	NO.	PARTS LIST	QTY
1	Frame	2			
2	Compartment	1			

My Shelfie Studio 45/60x25

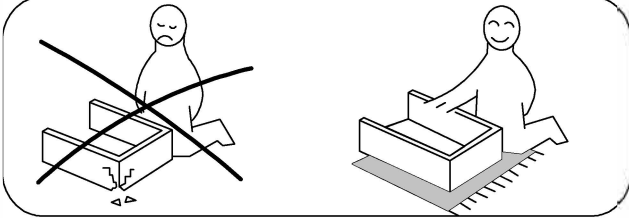
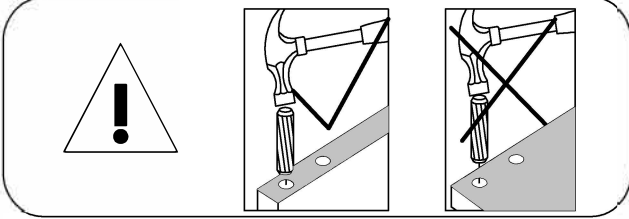
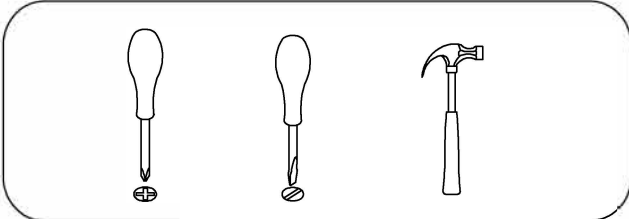
HARDWARE LIST

	7cm
	6cm
	5cm
	4cm
	3cm
	2cm
	1cm
	0cm

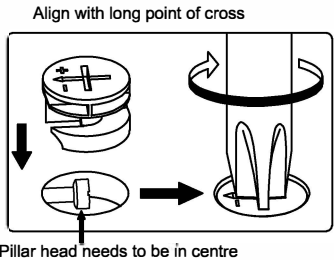
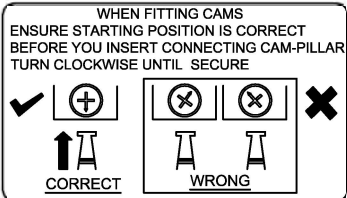


2x
Ø8*20
A

My Shelfie Studio 45/60x25

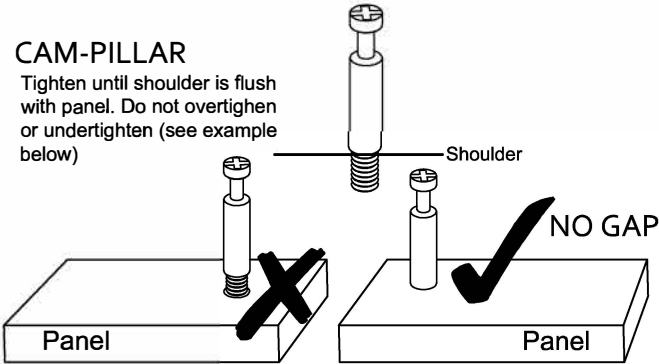


TIPS FOR FITTING CAM-LOCKS AND CAM-PILLARS



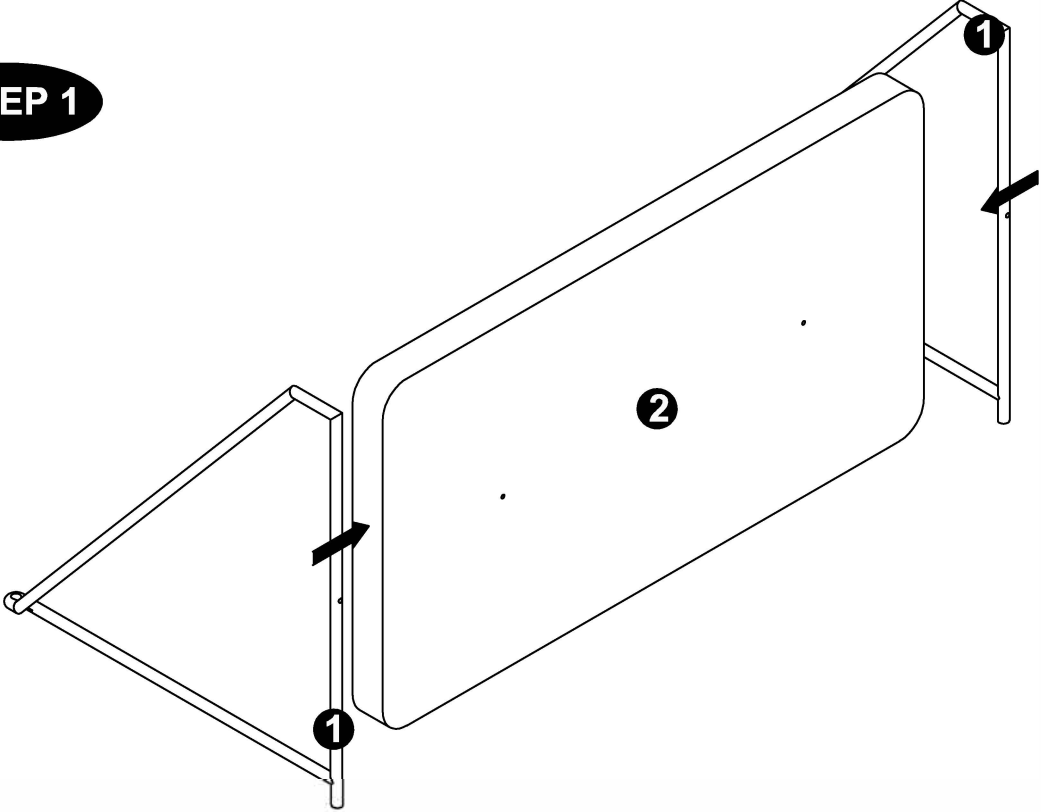
CAM-PILLAR

Tighten until shoulder is flush with panel. Do not overtighten or undertighten (see example below)

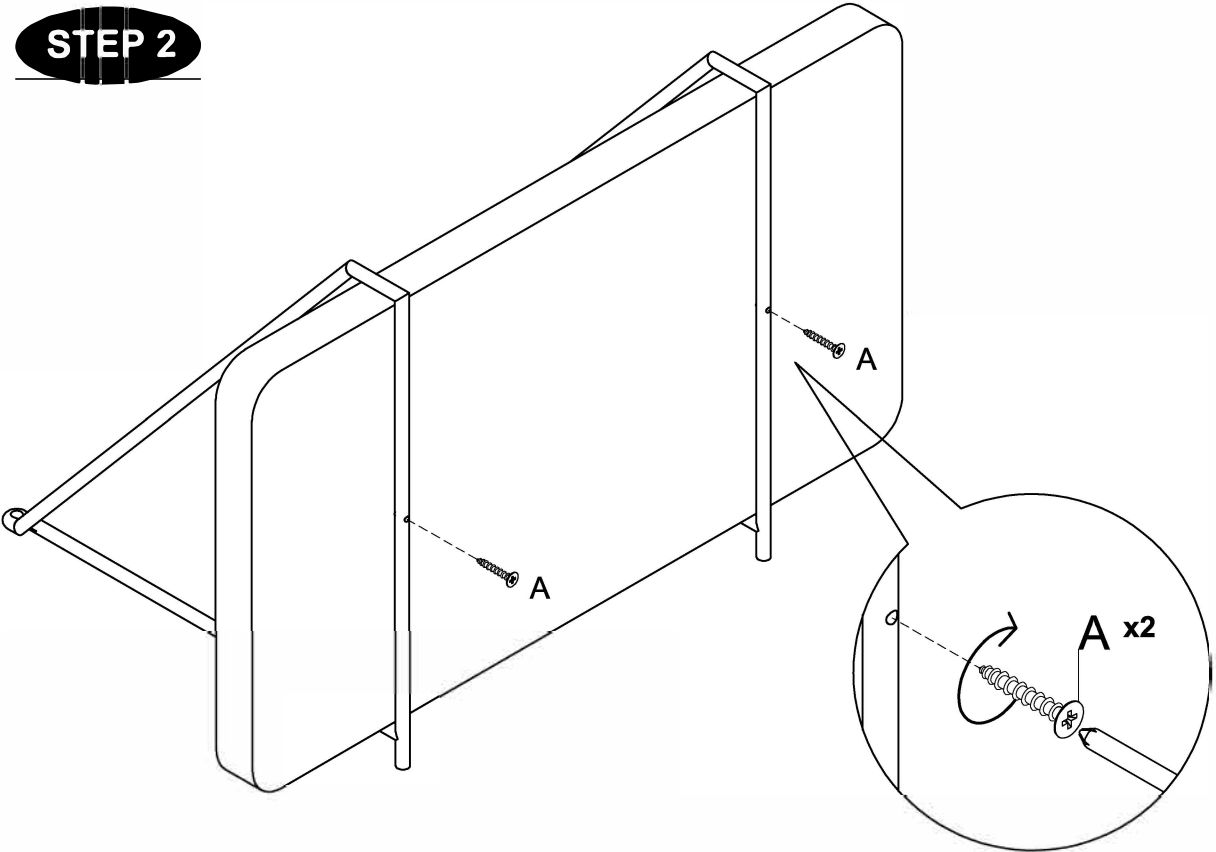


My Shelfie Studio 45/60x25

STEP 1



STEP 2



My Shelfie Studio 45/60x25

STEP 3

