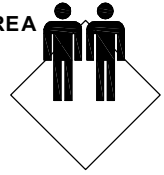


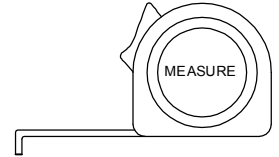
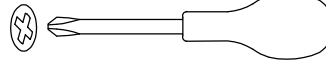
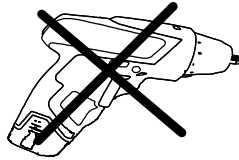
# Laslo 2-door Wardrobe



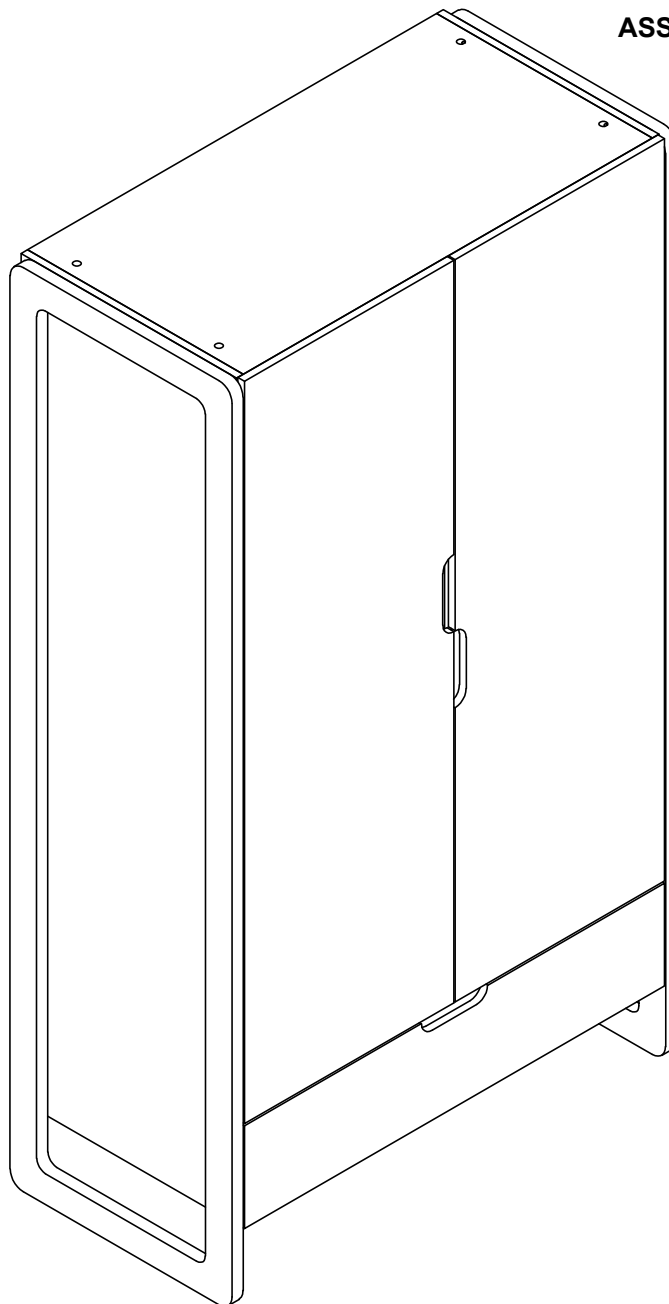
**FLOOR AREA**  
2.5M X 3M



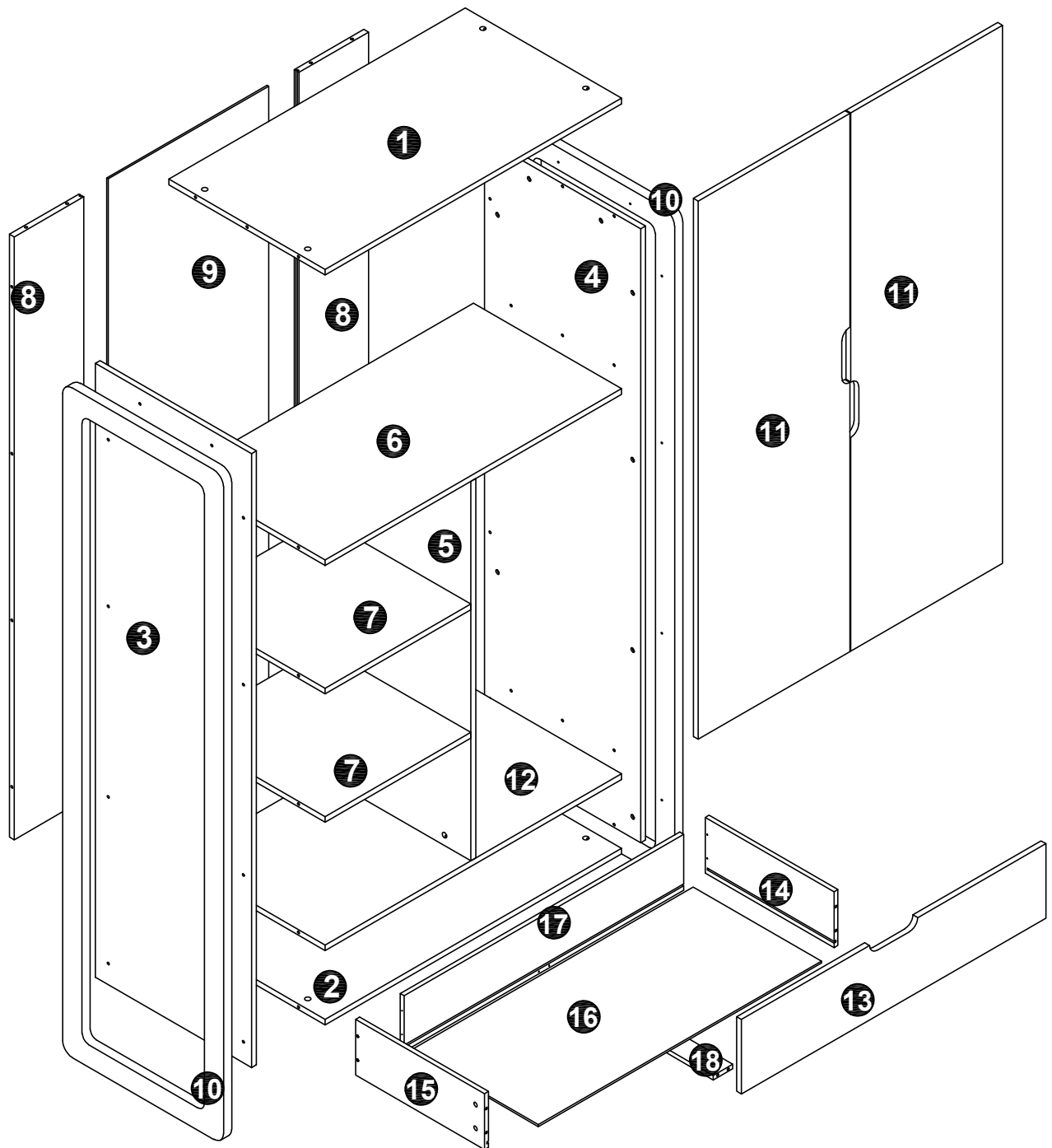
**REQUIRED ASSEMBLY TOOLS**



**ASSEMBLED DIMENSIONS**



# Laslo 2-door Wardrobe



## Laslo 2-door Wardrobe

### PACK 1









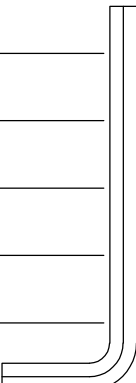
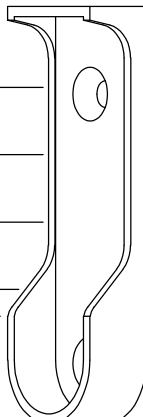
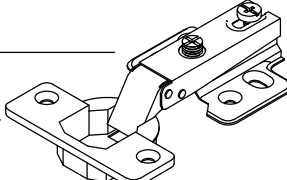
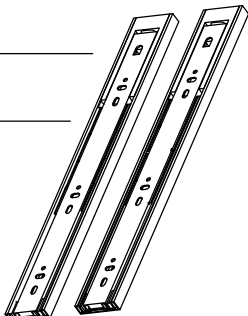
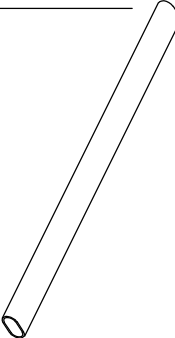
NO.	PARTS LIST	QTY
③	Left side panel	1
④	Right side panel	1
⑧	Left/Right back panel	2
⑨	Middle back panel	1
⑩	Left/Right foot	2
⑪	Door	2

### PACK 2

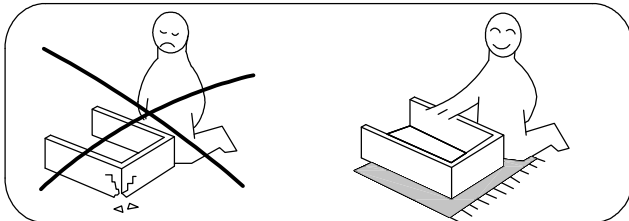
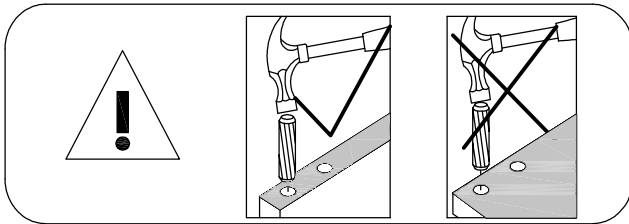
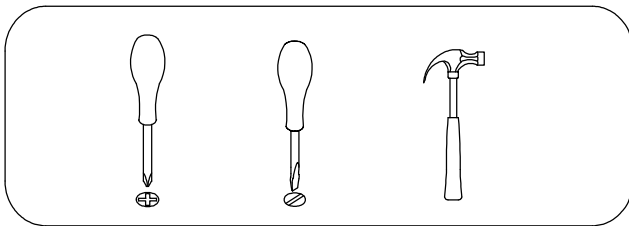
NO.	PARTS LIST	QTY
①	Roof	1
②	Bottom panel	1
⑤	Middle panel	1
⑥	Upper panel	1
⑦	Compartments	2
⑫	Lower panel	1
⑬	Drawer front panel	1
⑭	Drawer right panel	1
⑮	Drawer left panel	1
⑯	Drawer botto	1
⑰	Drawer back panel	1
⑱	Drawer support beam	1

# Laslo 2-door Wardrobe

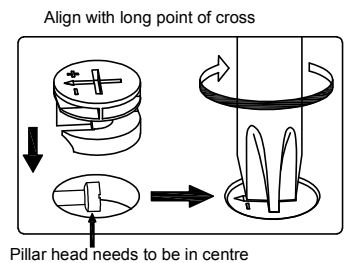
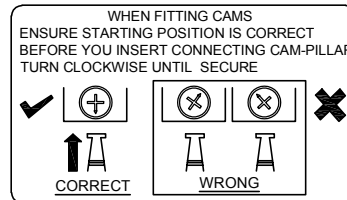
## HARDWARE LIST

								7cm
								6cm
								5cm
								4cm
								3cm
								2cm
								1cm
								0cm
								
6x Ø12X10	46x Ø15X10	52x M6X35	14x Ø8X30mm	8x M3.5X12mm	52x M3.5X16mm	6x M3.5X30mm	20x M6X25mm	
A	B	C	D	E	F	G	H	
								9cm
								8cm
								7cm
								6cm
								5cm
								4cm
								3cm
								2cm
								1cm
								0cm
								
1x 4#	2x	8x		1x 14" L/M		1x		
I	J	K		L/M		N		

# Laslo 2-door Wardrobe

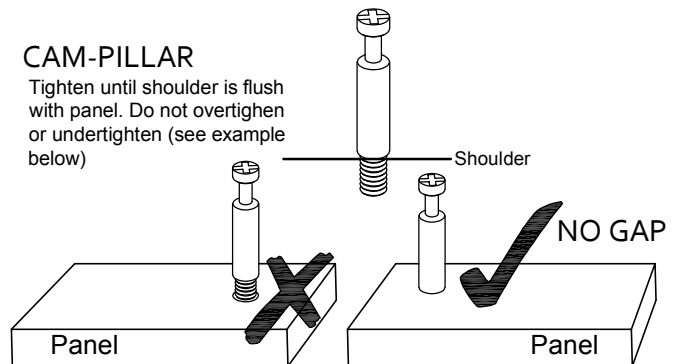


## TIPS FOR FITTING CAM-LOCKS AND CAM-PILLARS



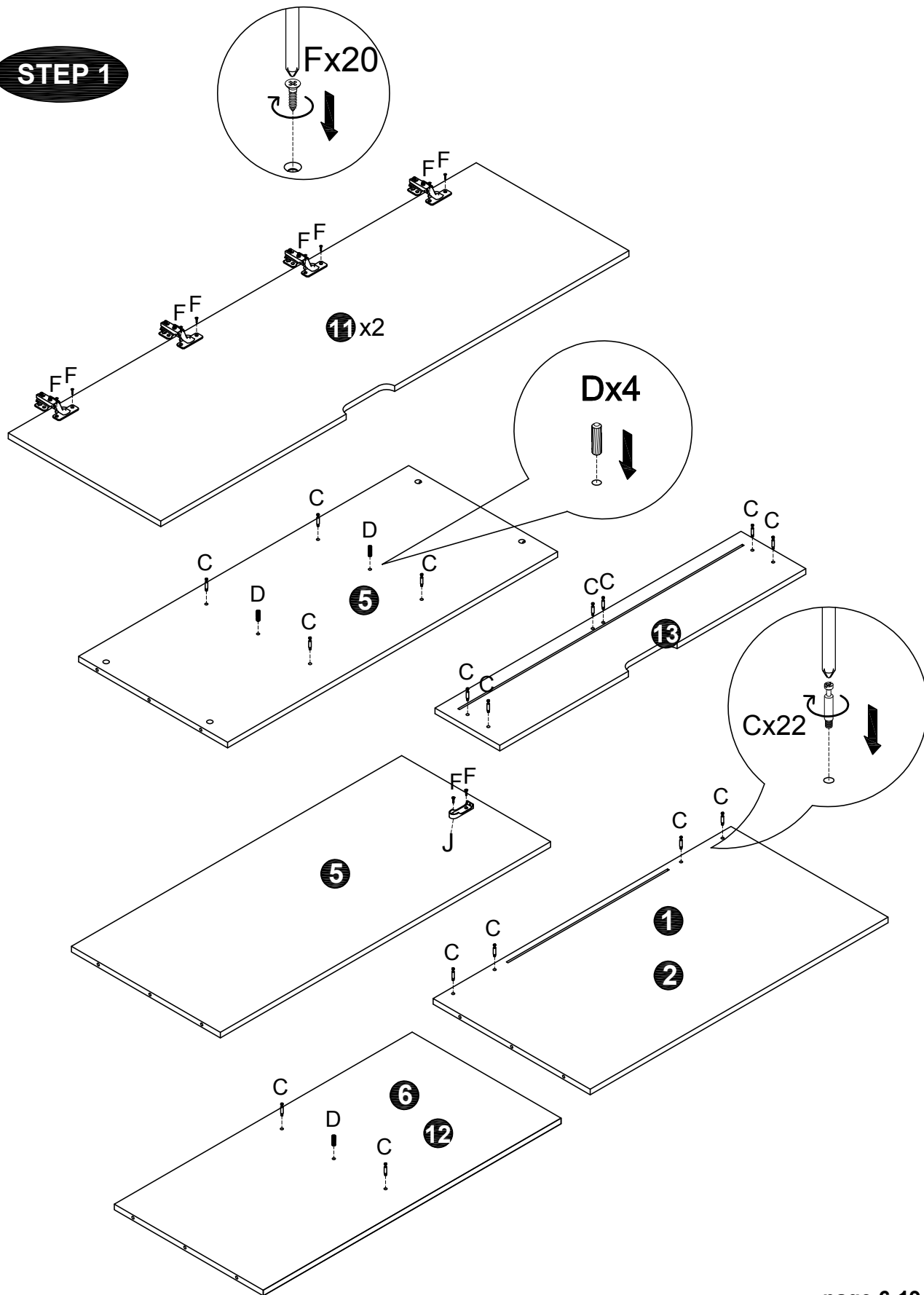
## CAM-PILLAR

Tighten until shoulder is flush with panel. Do not overtighten or undertighten (see example below)

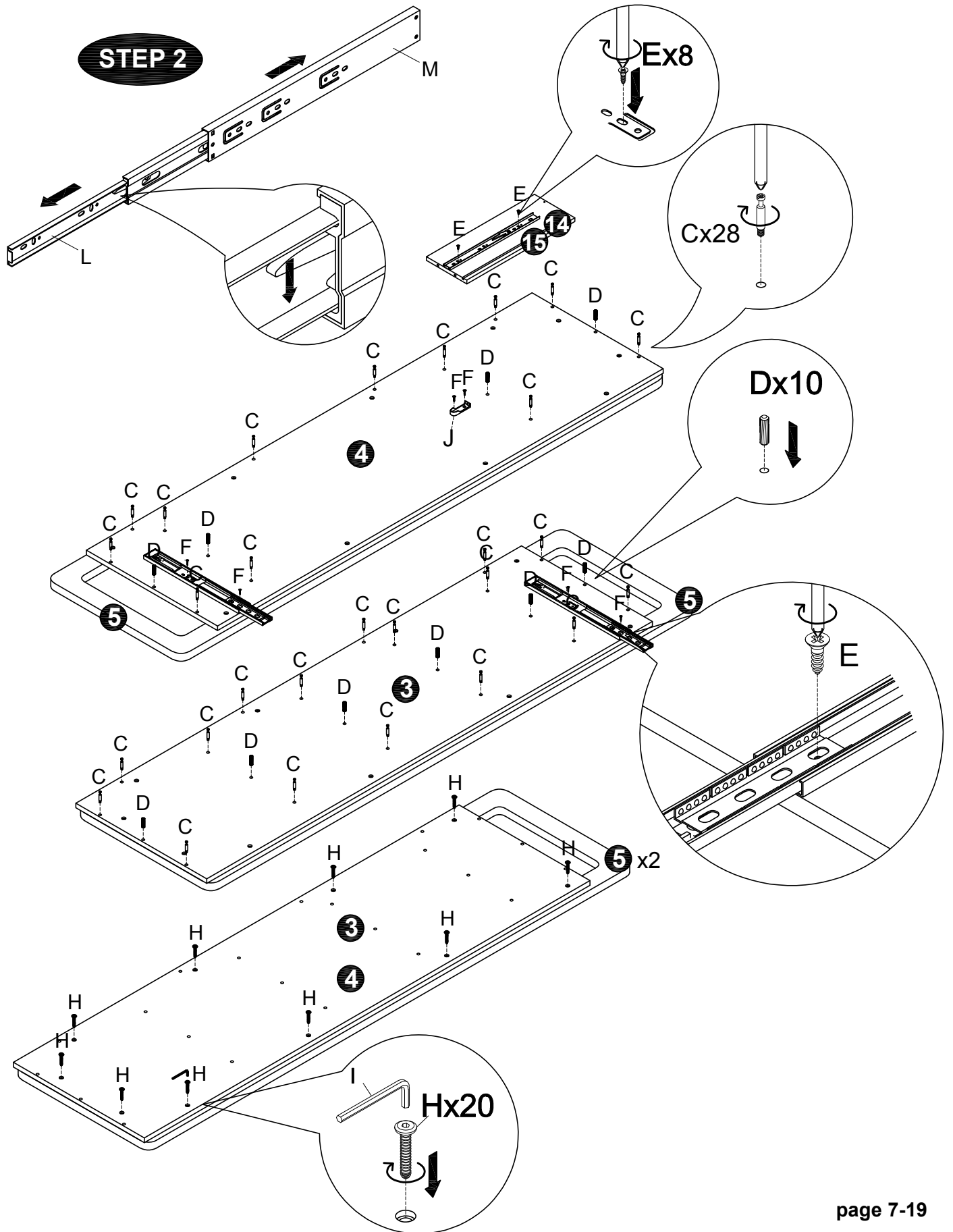


# Laslo 2-door Wardrobe

**STEP 1**

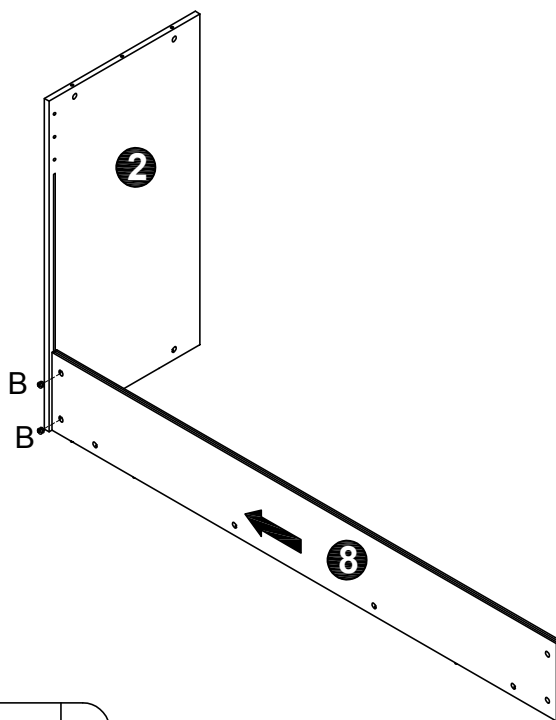


# Laslo 2-door Wardrobe

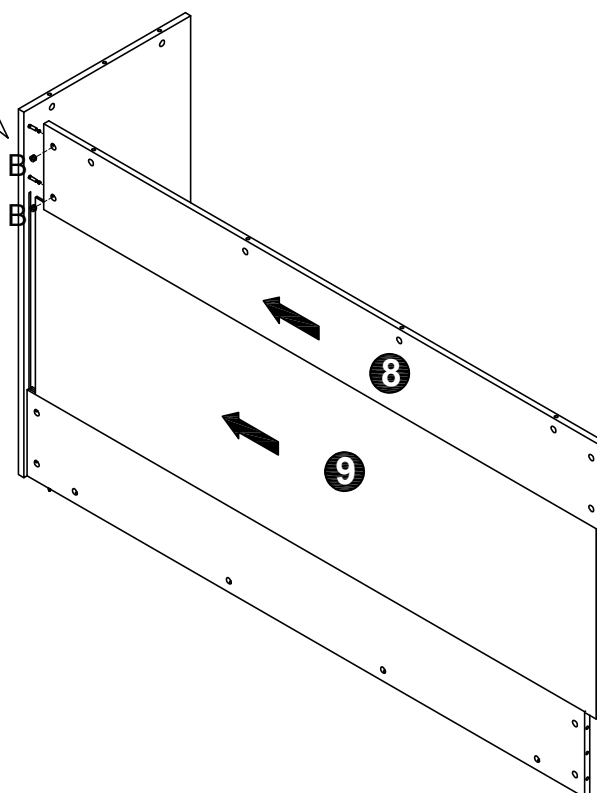
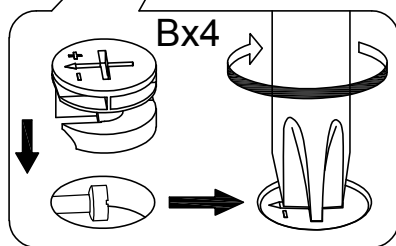


# Laslo 2-door Wardrobe

**STEP 3**



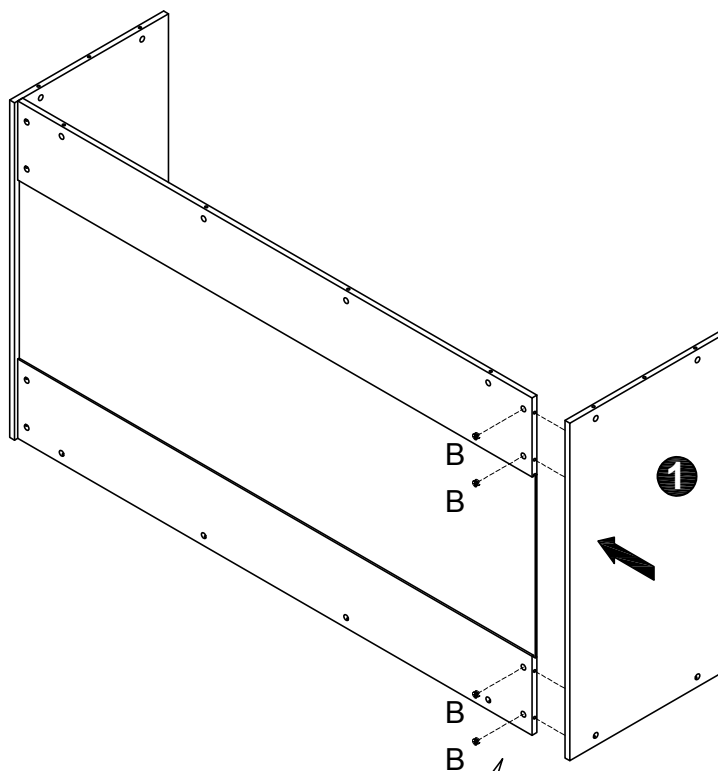
**STEP 4**



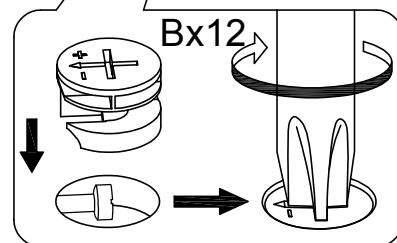
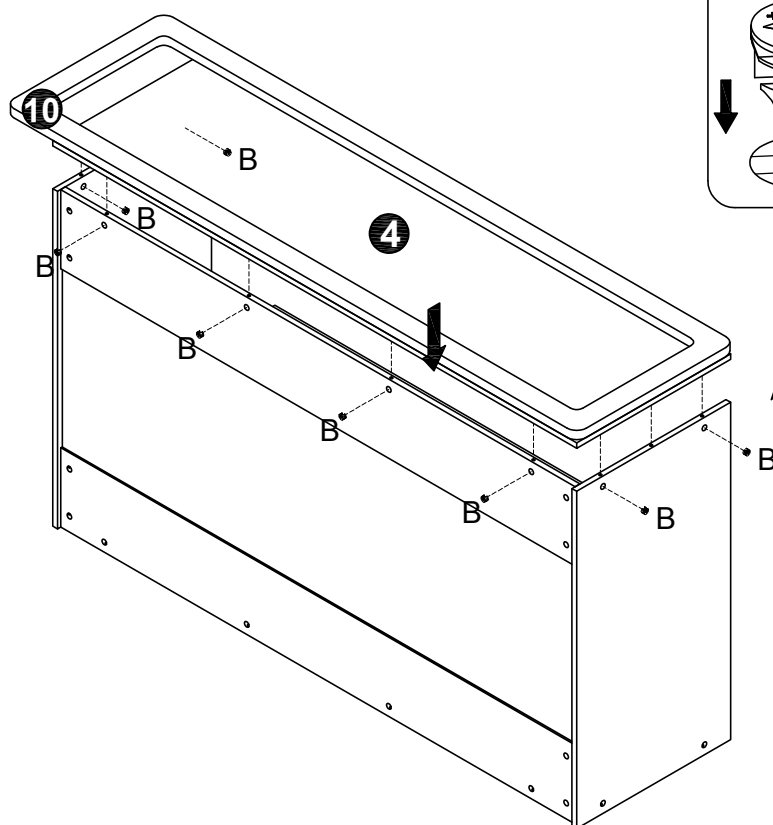


# Laslo 2-door Wardrobe

**STEP 5**

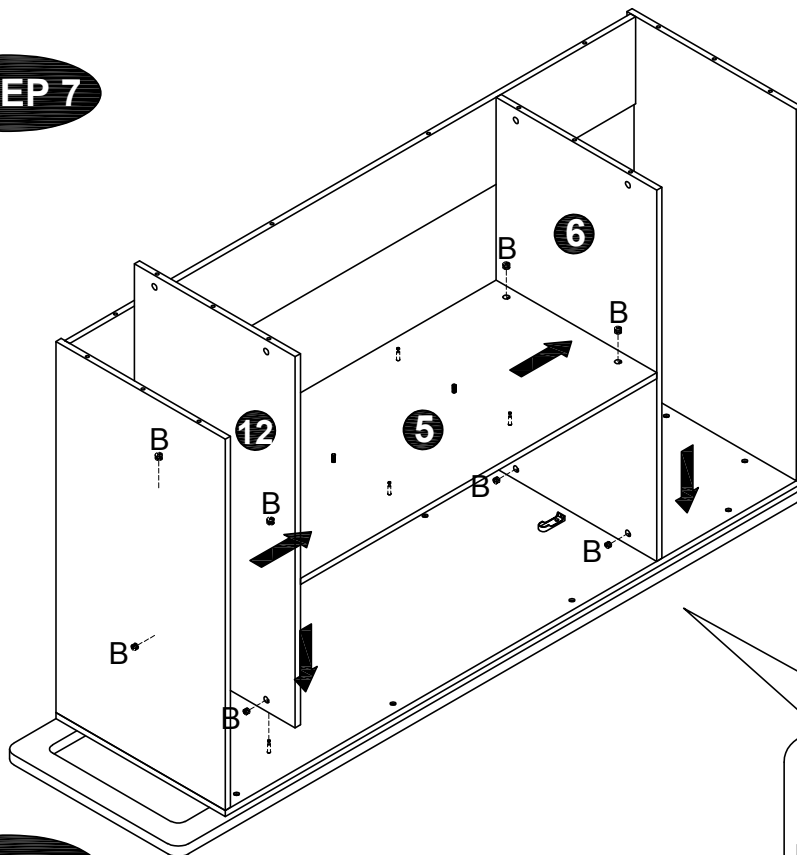


**STEP 6**

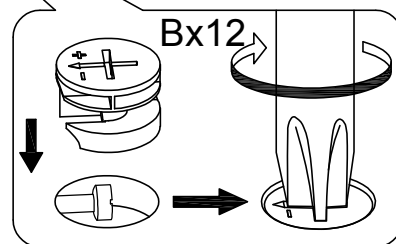
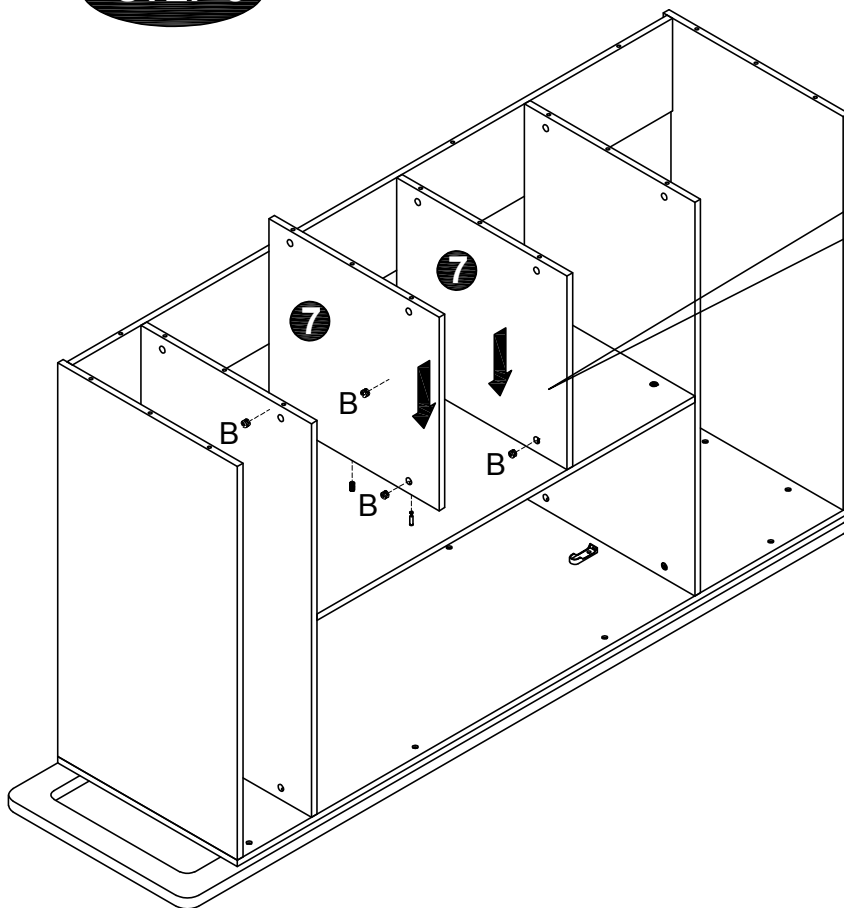


# Laslo 2-door Wardrobe

**STEP 7**

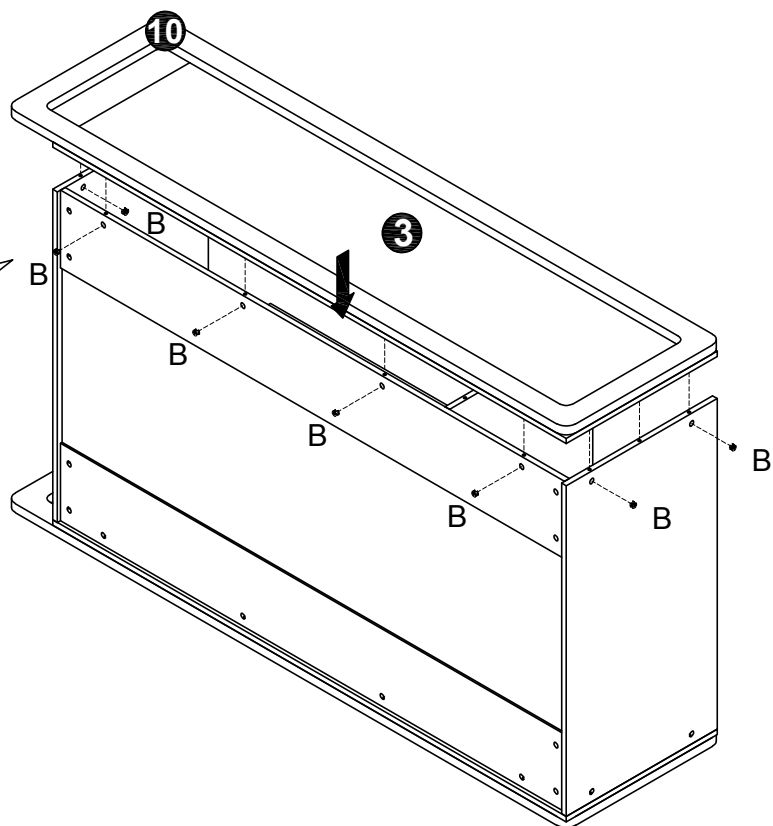
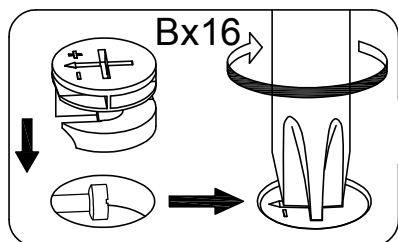


**STEP 8**

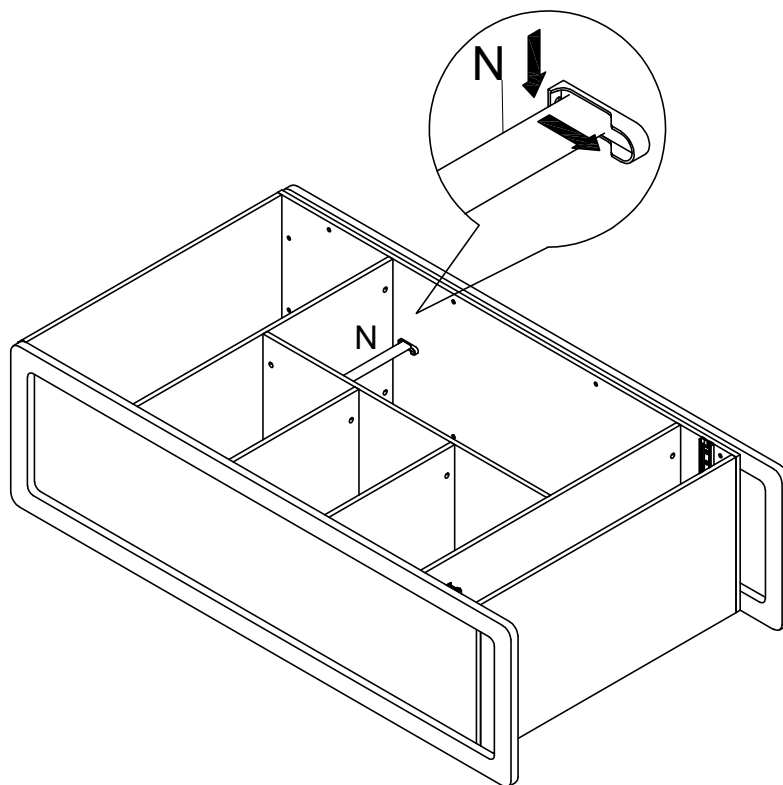


# Laslo 2-door Wardrobe

## STEP 9

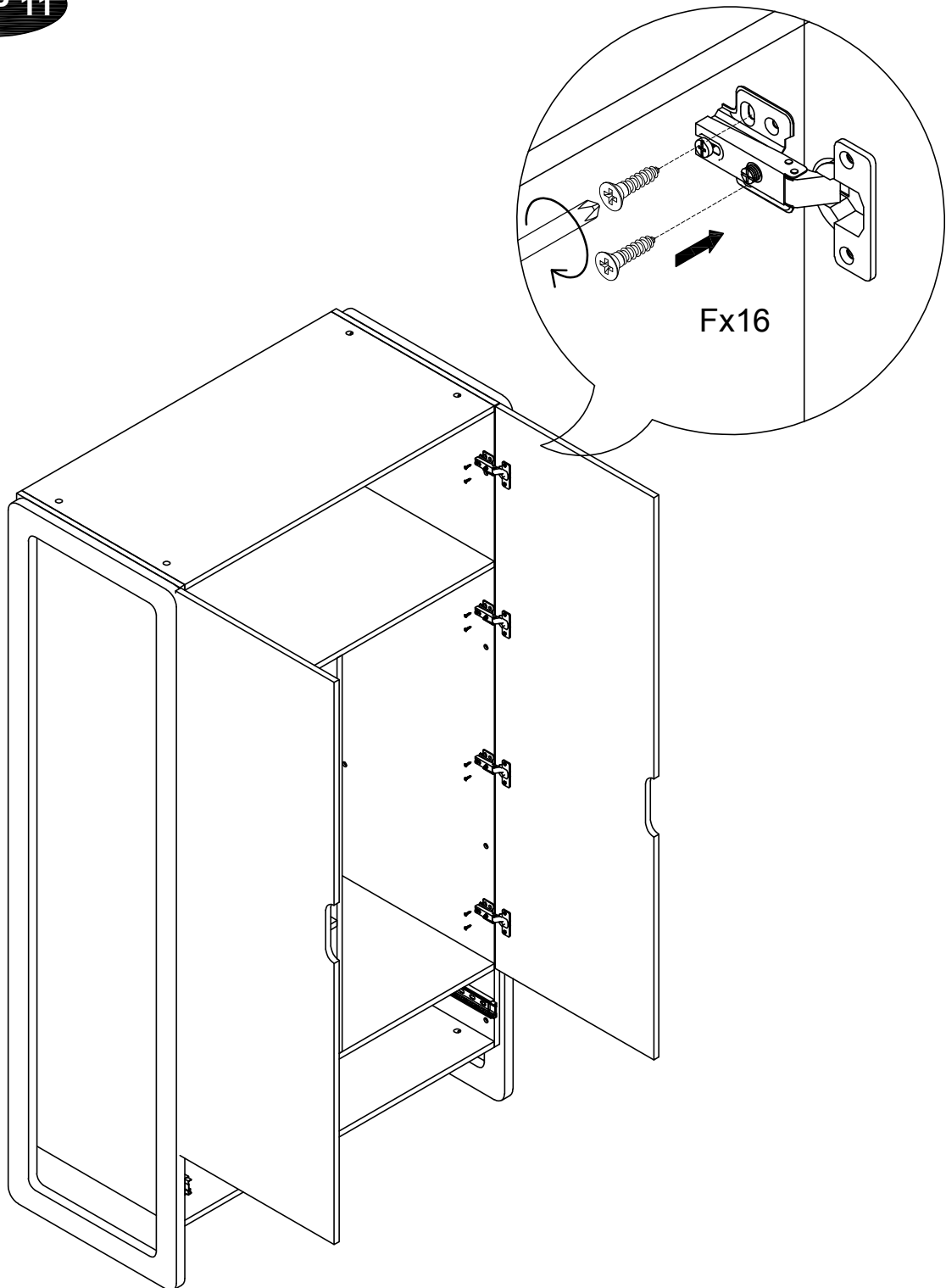


## STEP 10



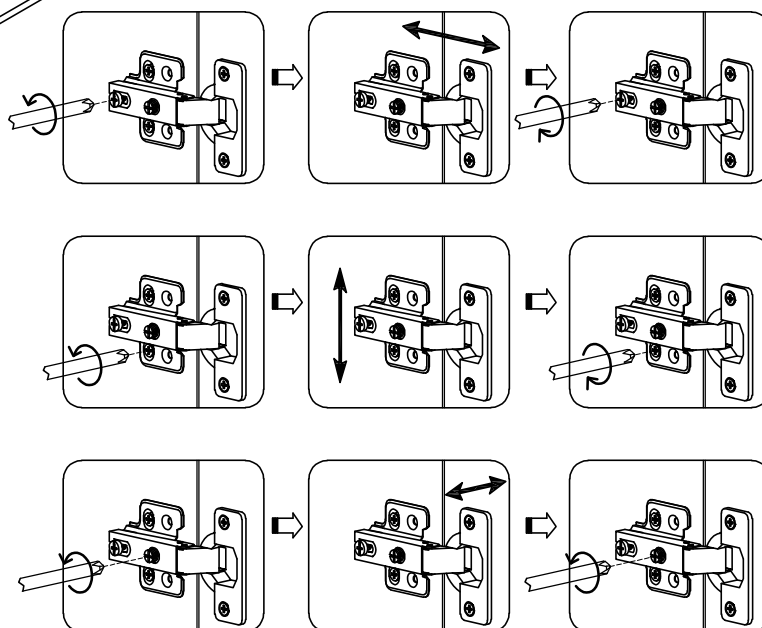
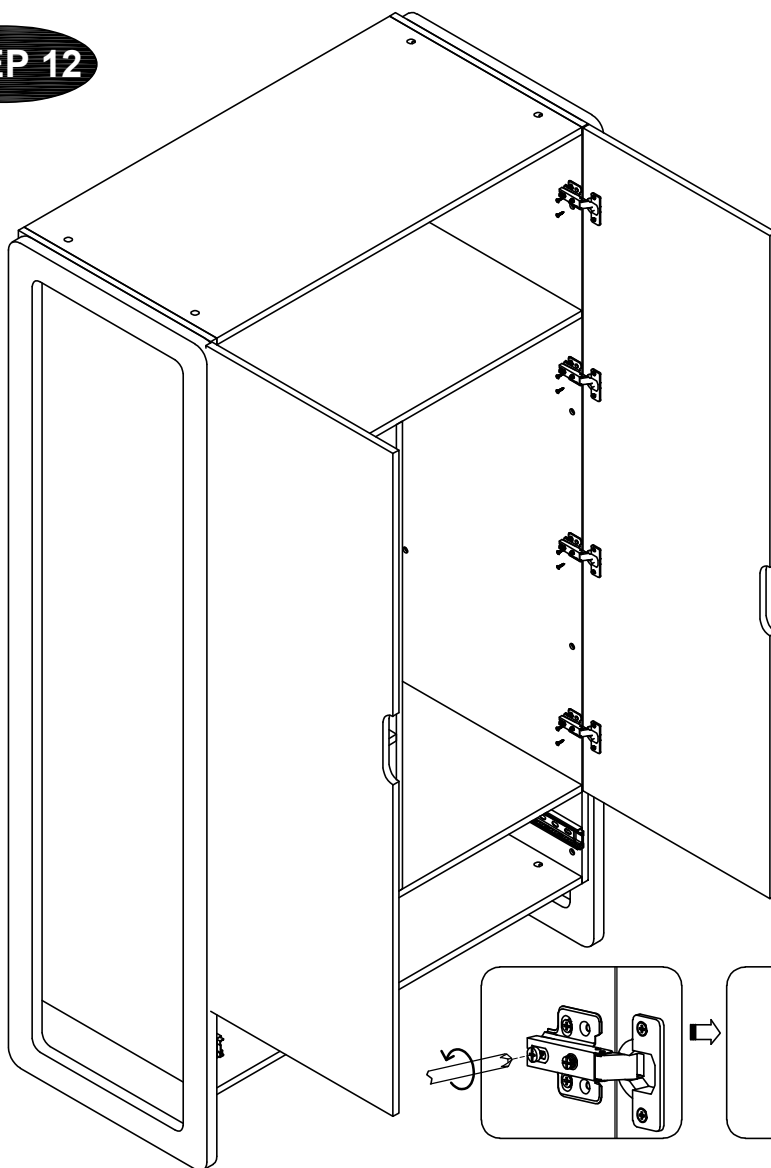
# Laslo 2-door Wardrobe

**STEP 11**



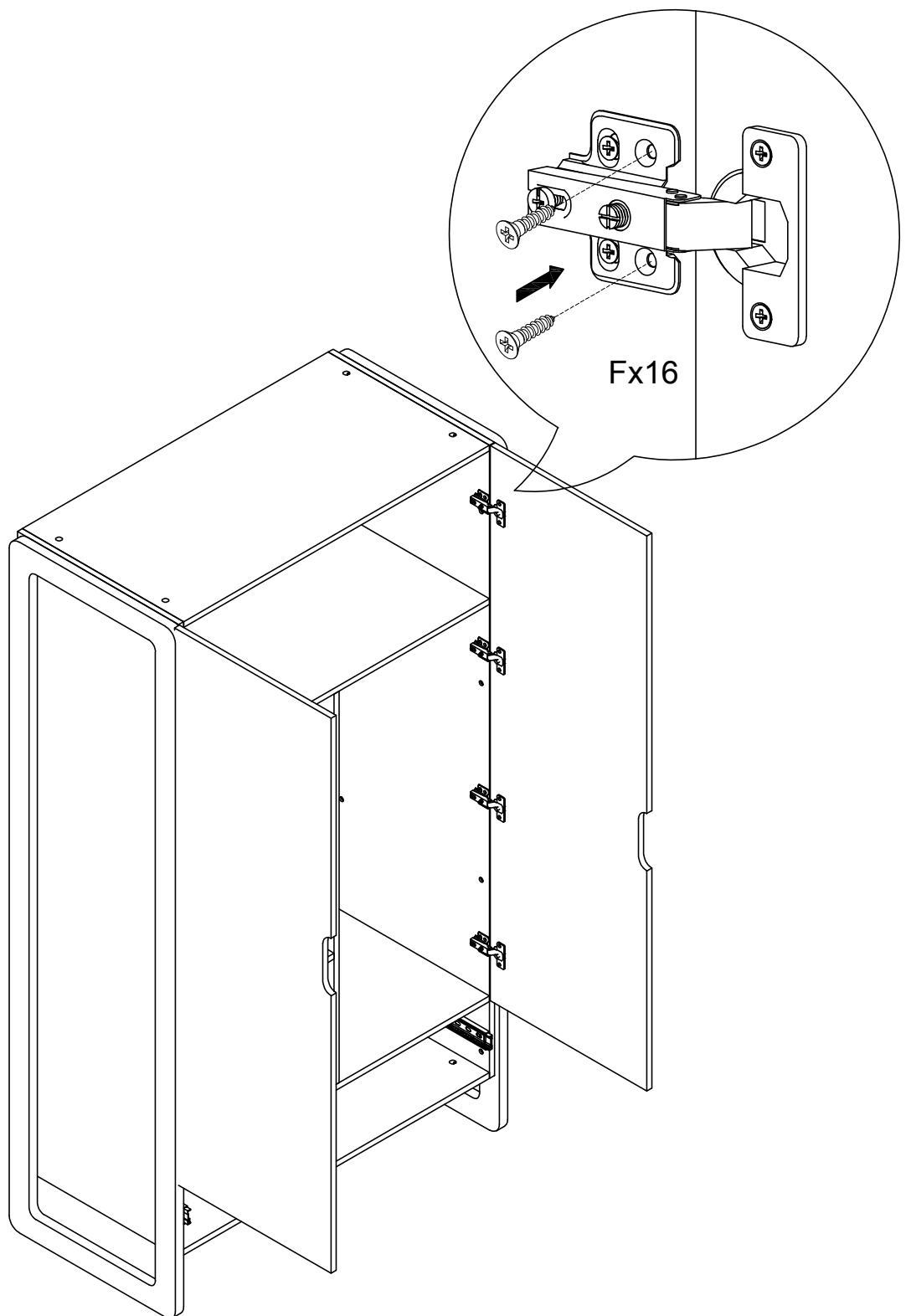
# Laslo 2-door Wardrobe

**STEP 12**



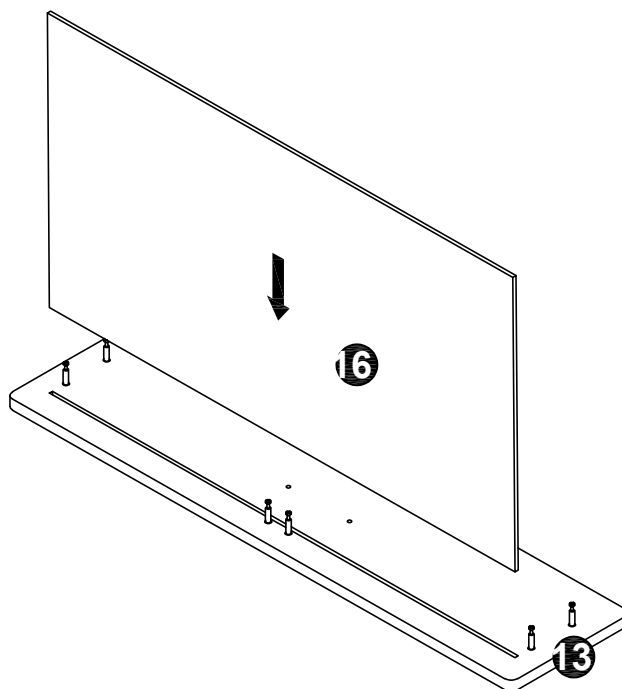
# Laslo 2-door Wardrobe

**STEP 13**

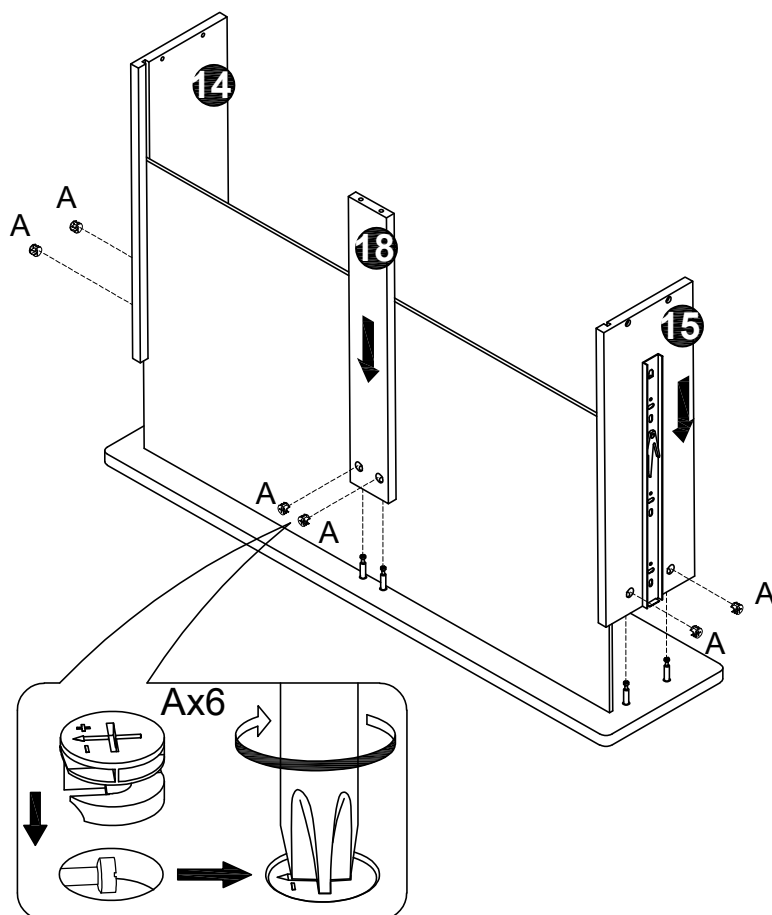


# Laslo 2-door Wardrobe

## STEP 14

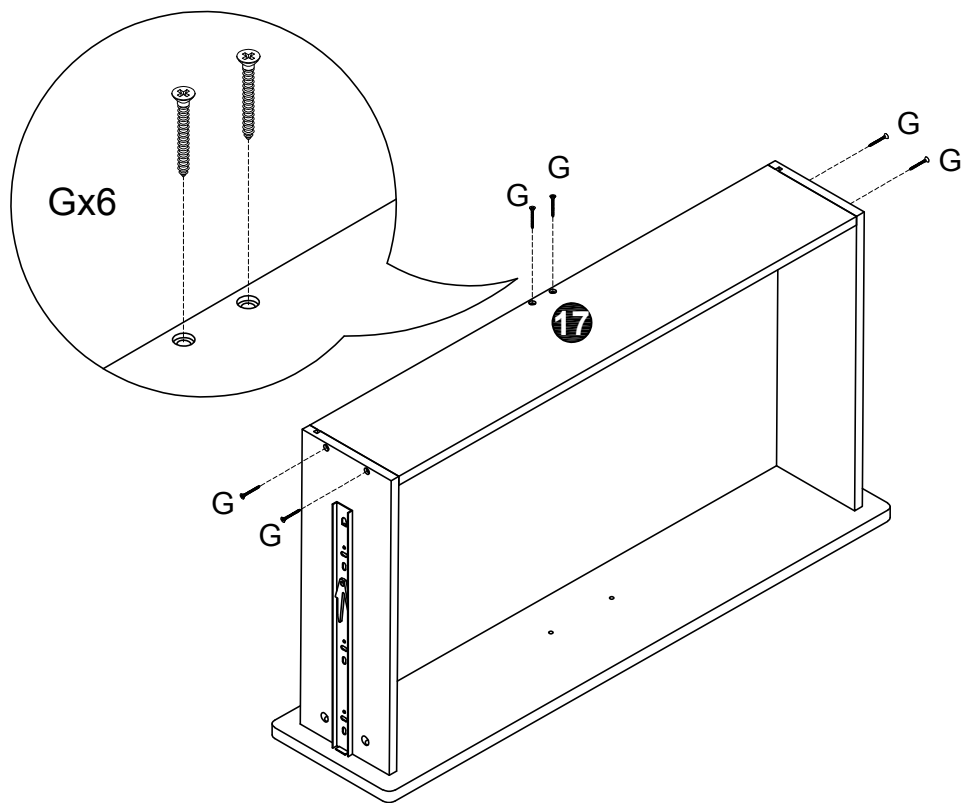


## STEP 15



# Laslo 2-door Wardrobe

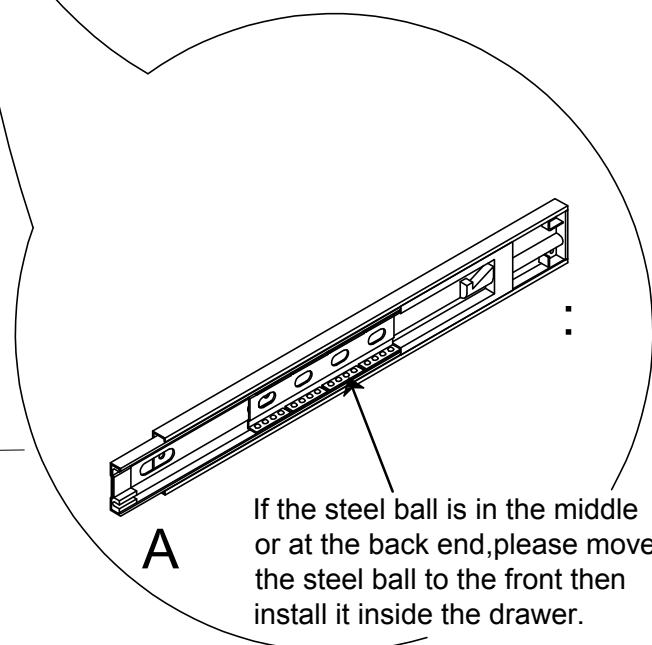
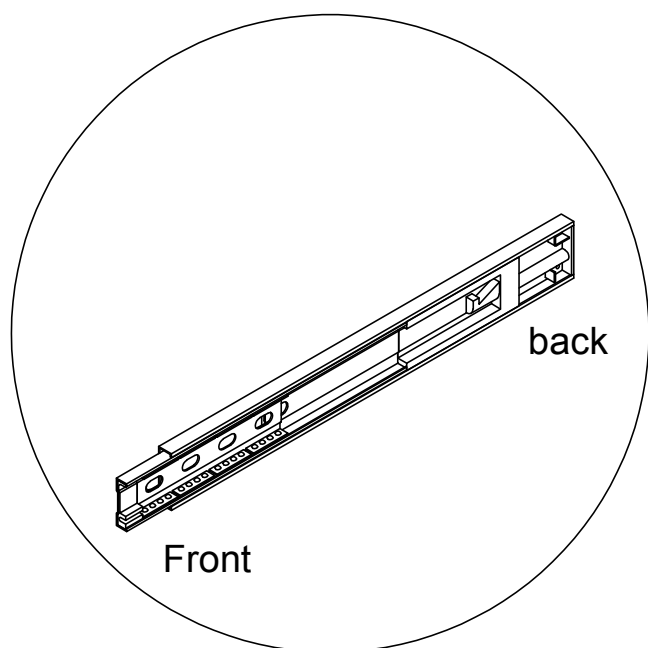
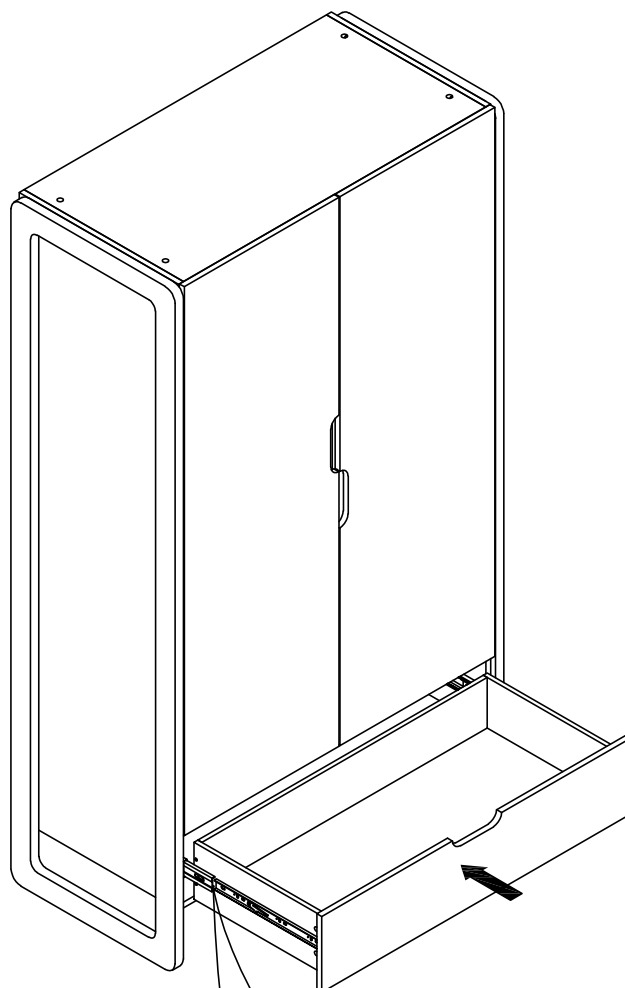
## STEP 16





# Laslo 2-door Wardrobe

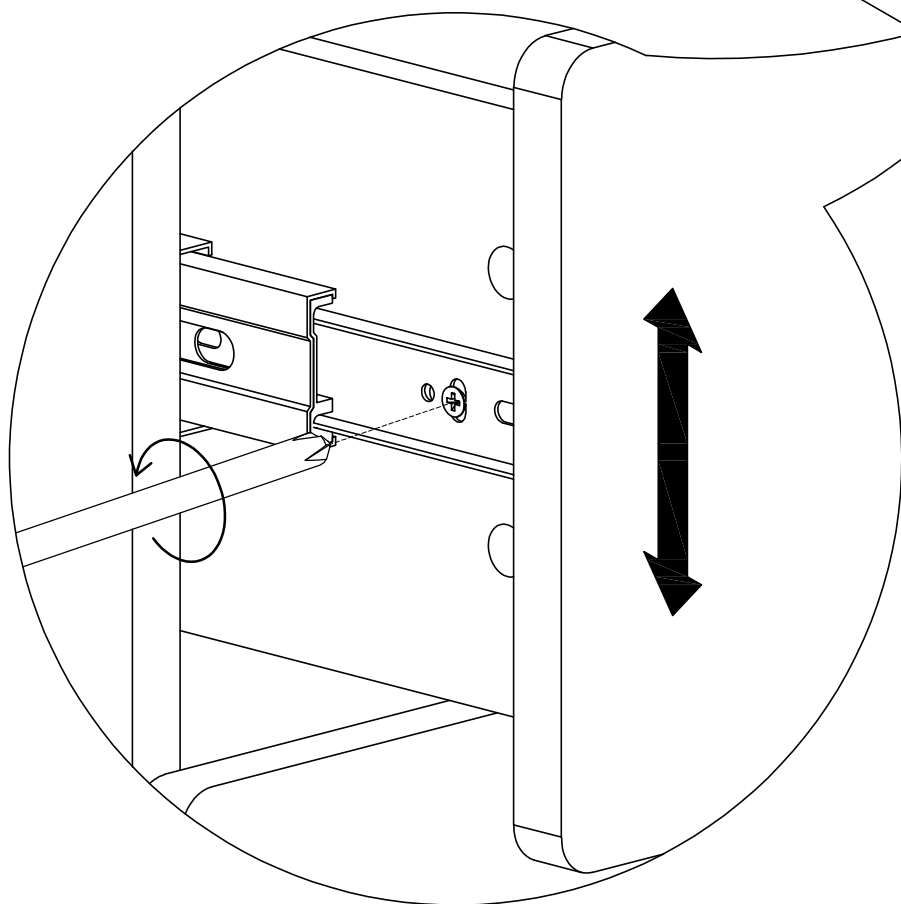
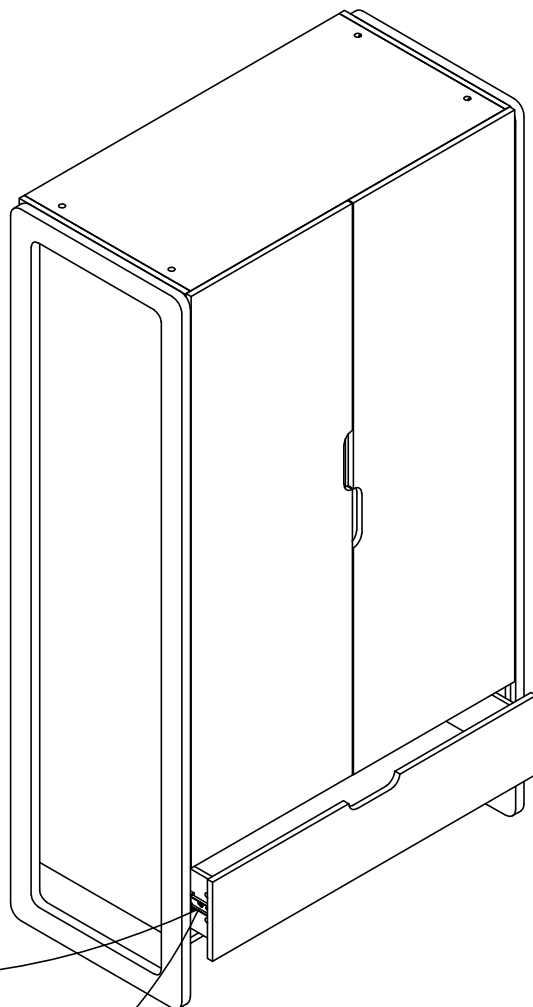
## STEP 17



# Laslo 2-door Wardrobe

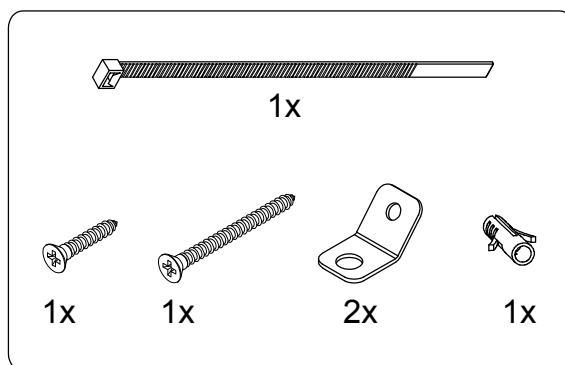
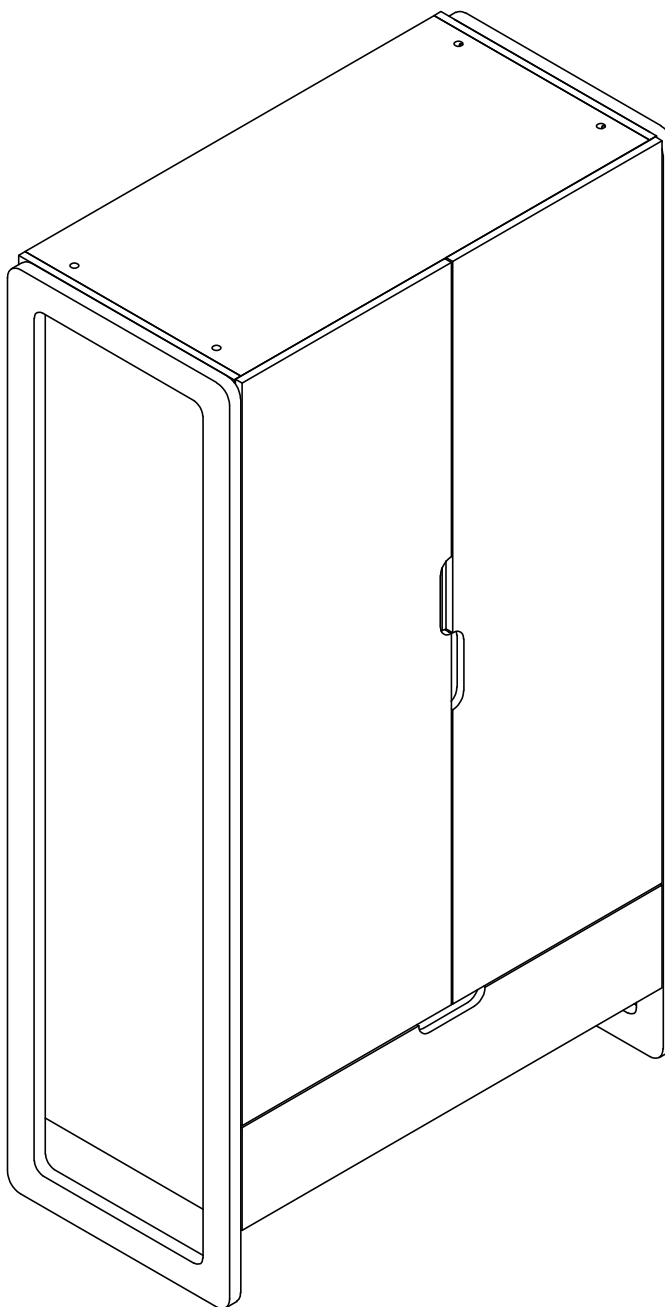
## STEP 18

If the gap between the drawing plank is too small or there is a collision in between, please loosen the screw and adjust the drawer plank up or down:



# Laslo 2-door Wardrobe

**STEP 19**



**Safety tip:** Please attach the wardrobe to the wall using the hardware provided.