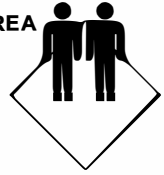


My Shelfie Loft 60x15

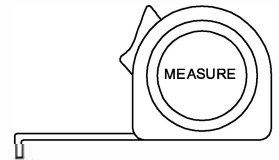
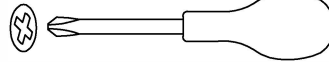
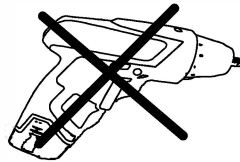
2 PERSON ASSEMBLY



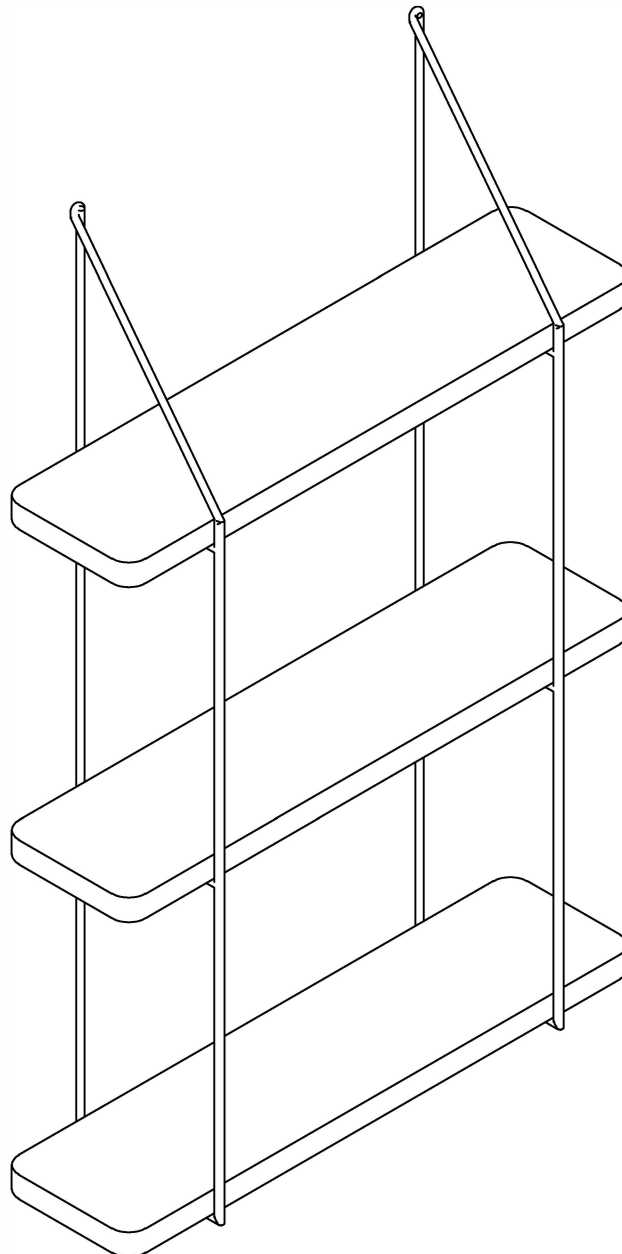
FLOOR AREA
2.5M X 3M



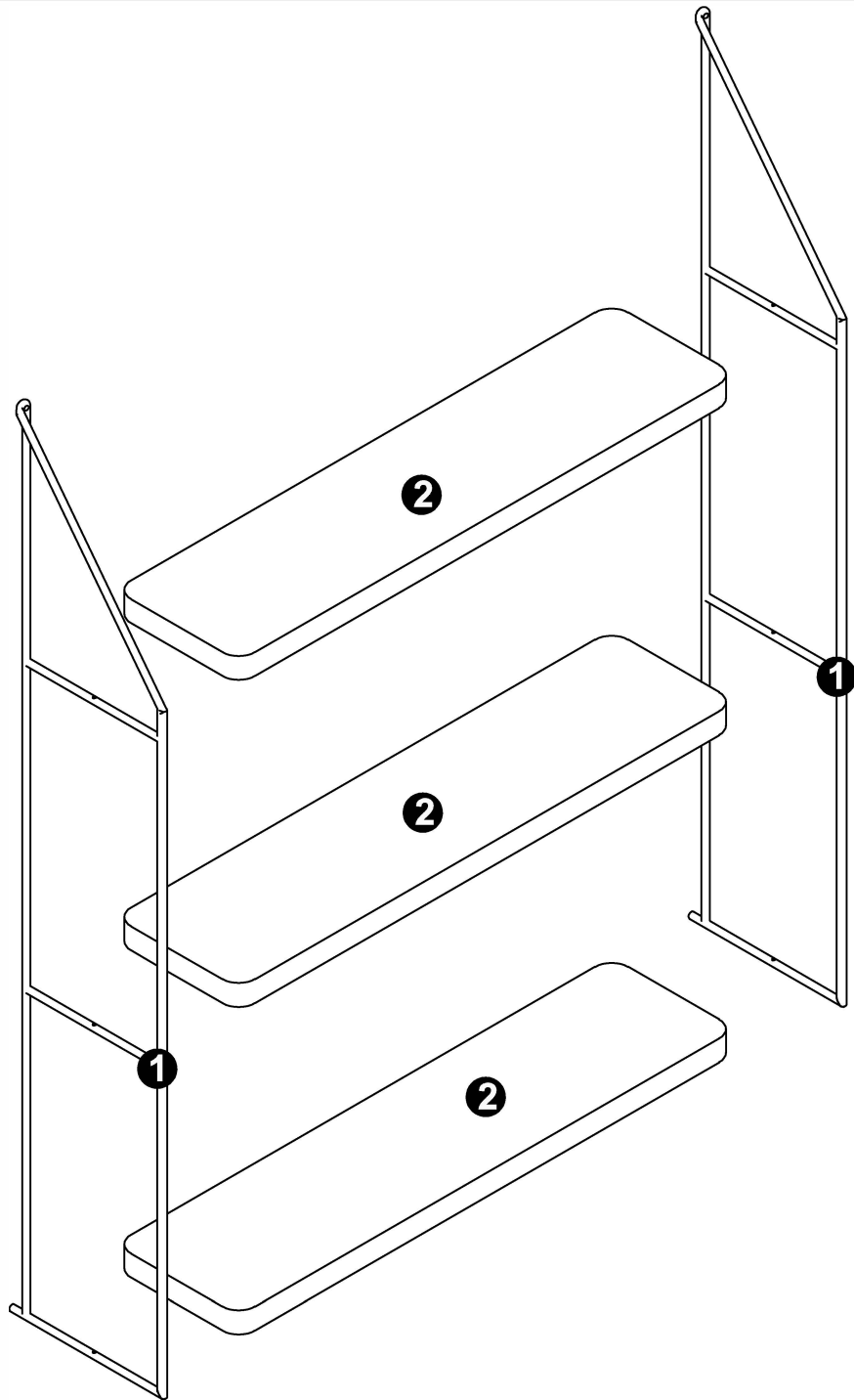
REQUIRED ASSEMBLY TOOLS



ASSEMBLED DIMENSIONS



My Shelfie Loft 60x15



PACK 1

PACK 2

NO.	PARTS LIST	QTY	NO.	PARTS LIST	QTY
①	Frame	2			
②	Compartments	3			

My Shelfie Loft 60x15

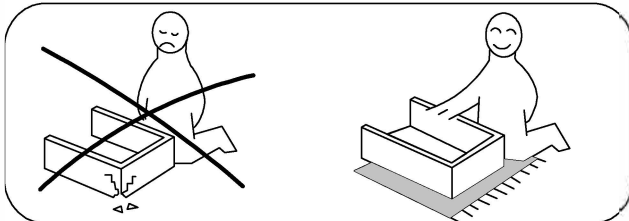
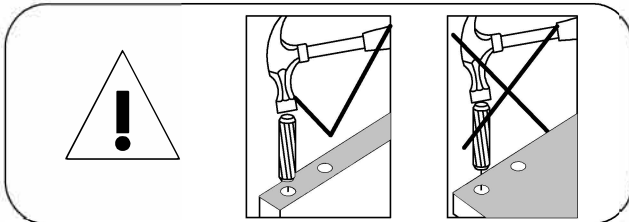
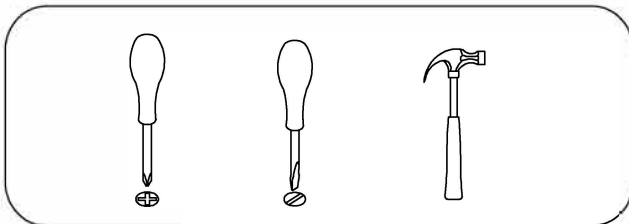
HARDWARE LIST

_____	7cm
_____	6cm
_____	5cm
_____	4cm
_____	3cm
_____	2cm
_____	1cm
_____	0cm

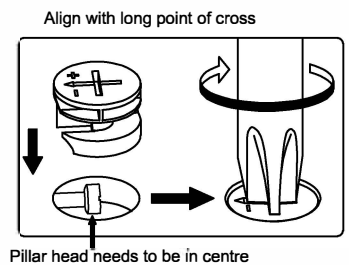
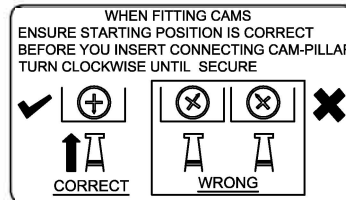


6x
Ø8*20
A

My Shelfie Loft 60x15

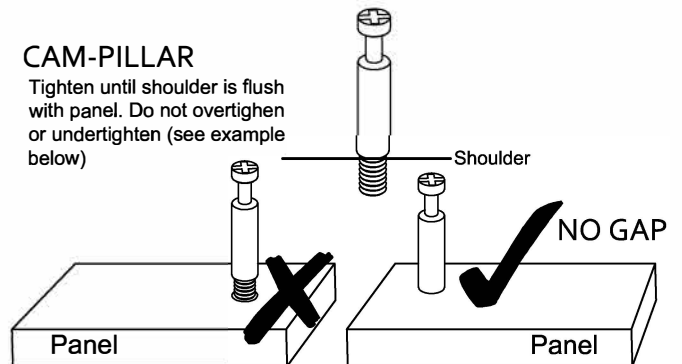


TIPS FOR FITTING CAM-LOCKS AND CAM-PILLARS



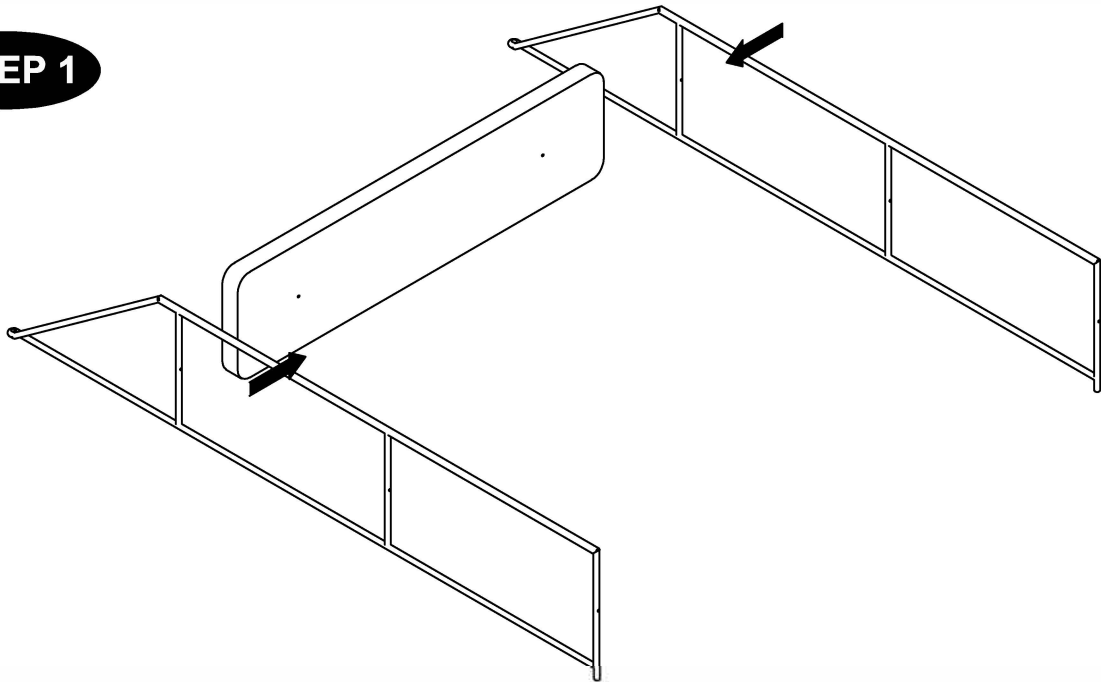
CAM-PILLAR

Tighten until shoulder is flush with panel. Do not overtighten or undertighten (see example below)

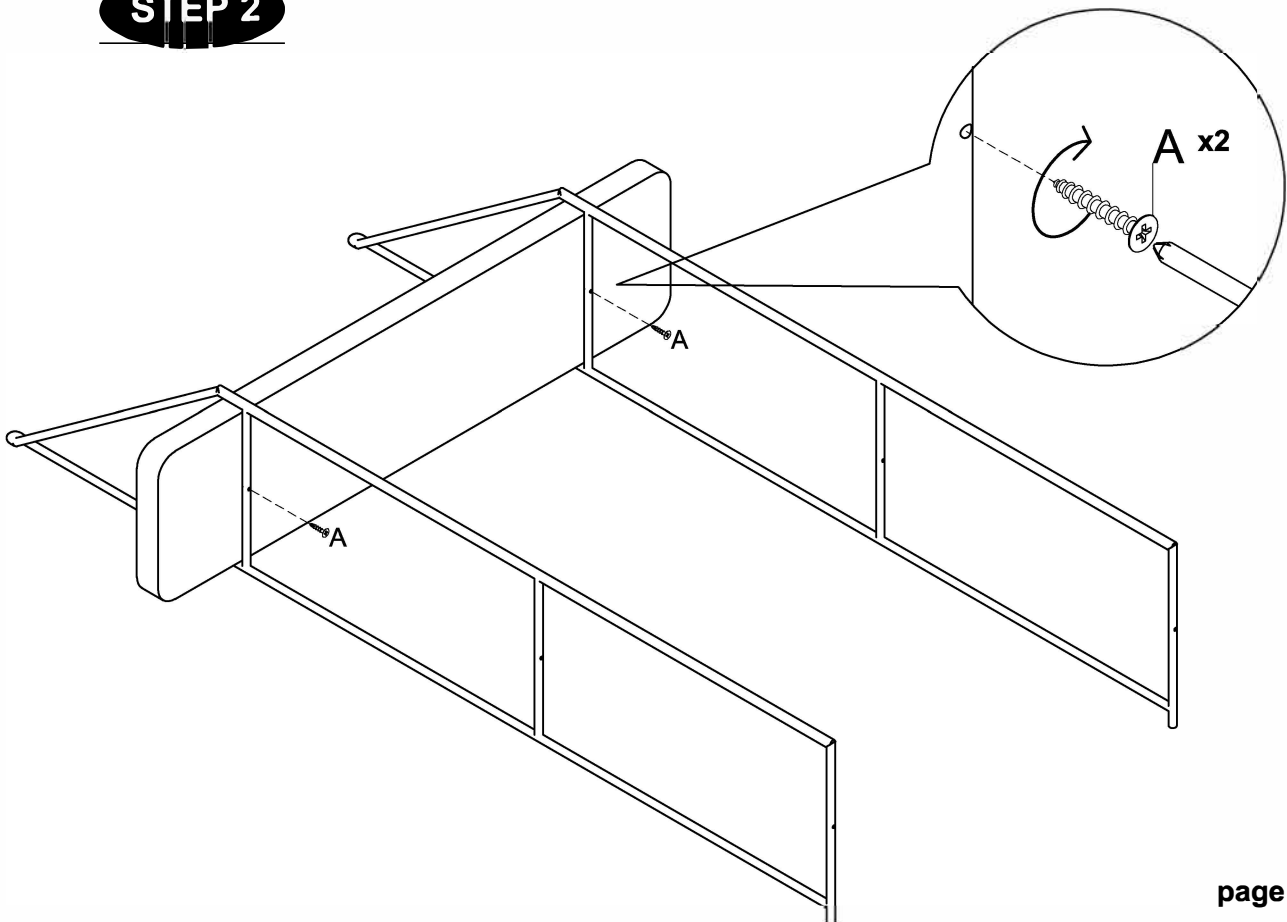


My Shelfie Loft 60x15

STEP 1

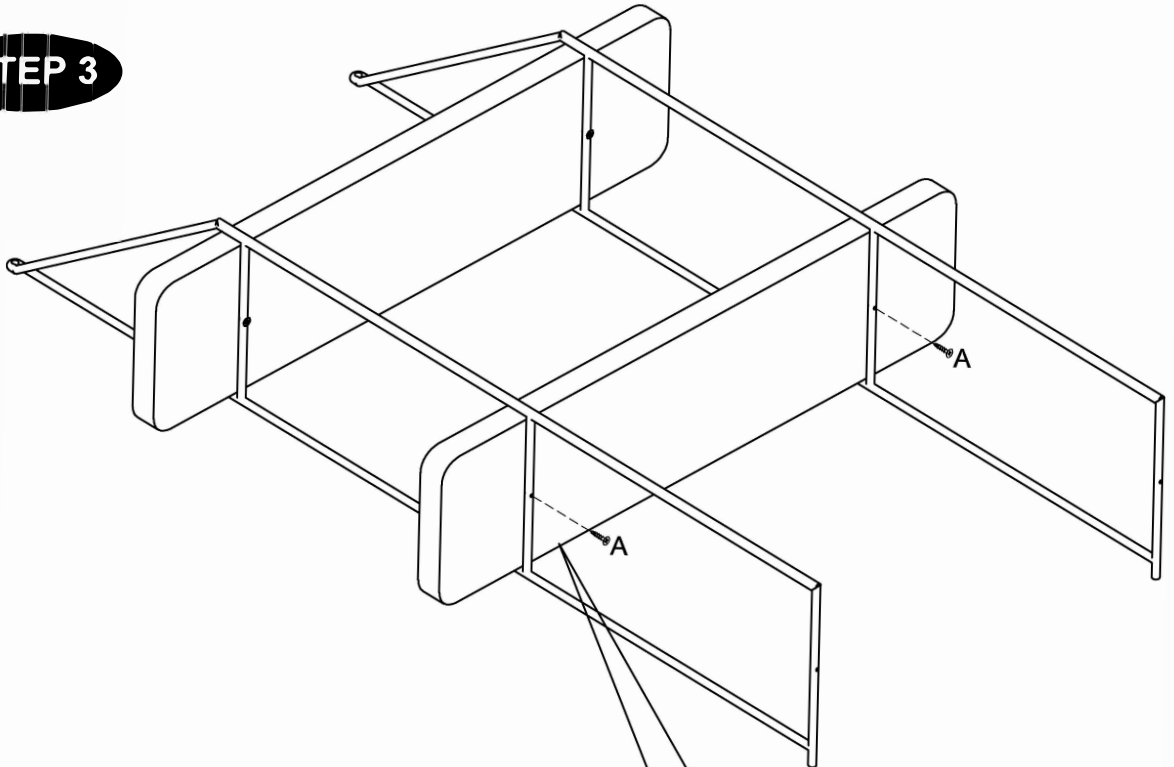


STEP 2

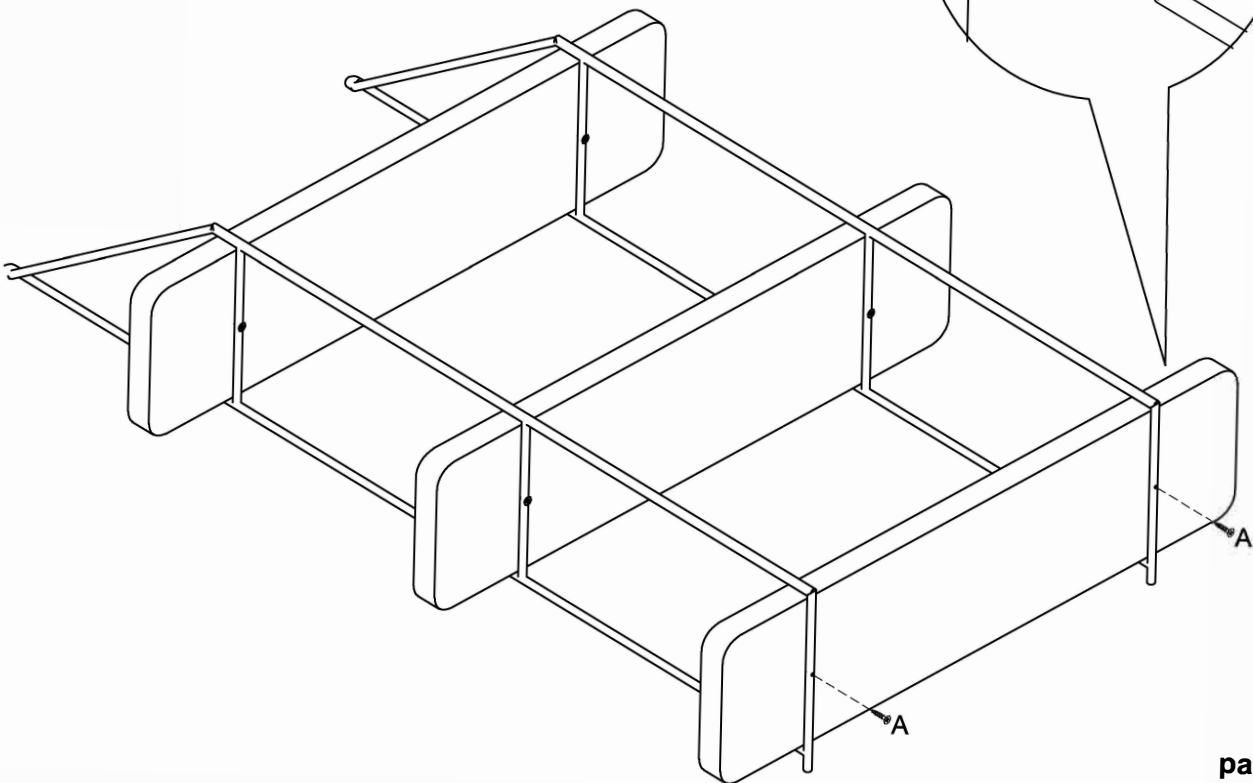


My Shelfie Loft 60x15

STEP 3



STEP 4



My Shelfie Loft 60x15

STEP 5

